

FOR THE BAD
READ OTHER
FOR THE GOOD YOU
READ THE BYSTANDER

A PAPER WITH A CLEAN POLICY

The Bystander

A WEEKLY FOR THE PEOPLE AND BY THE PEOPLE

THE BEST
Advertising Medium to
Reach the Colored People

VOL. XXVI. NO. 25.

DES MOINES, IOWA, THURSDAY, DECEMBER 16, 1920.

Price Five Cents

VIOLATES FIFTEENTH AMENDMENT

CONG. DYER PLANS MEMORIAL FOR NEGRO SOLDIERS AND SAILORS

Negro Physician Charged with Murder

N. A. C. P. Charges Ku Klux Klan in South Intimidates Negroes

New York, Dec. 14.—The National Association for the Advancement of Colored People today made public a letter to the federal attorney here requesting him to investigate information received by the organization that the Ku Klux Klan is organizing a branch in this district.

The association charged that the "Ku Klux Klan has been a means in southern states of violating the fifteenth amendment to the United States constitution by conspiring to intimidate citizens."

The association also announced it had evidence of the killing of more than thirty Negroes in elections in Florida and of terrorism of Negro voters in the south, which will be presented to the department of justice next Friday.

THE DELTA SIGMA THETA SORORITY MEETS

(By The Associated Negro Press.)
Columbus, Ohio, Dec. 14.—The Delta Sigma Theta sorority will hold its annual convention at Wilberforce university, Wilberforce, Ohio, December 23 to 30 inclusive. Enthusiastic and intense interest among the members and friends made this approaching event.

The growth of this organization of Negro college women seems almost incredible. In seven short years this fraternity has created charters at nine representative American colleges, a chapter of graduate members at Howard university, and a grand chapter of the sorority. Its members nowhere counted by the scores and include many prominent and influential women among the honorary members. This sorority has been a great factor in the college life of Negro girls and portends to become an even greater influence and power to their lives at college and after the good old college days.

The chapter list reads as follows: Alpha chapter at Howard university; Beta chapter at Wilberforce university; Gamma chapter at University of Pennsylvania; Delta chapter, University of Iowa; Epsilon chapter, Ohio State University; Zeta chapter, University of Cincinnati; Zeta chapter, University of Syracuse; and Theta chapter at Cornell university.

MRS. BROWN RETURNS FROM Y CONFERENCE

Mrs. S. Joe Brown returned Saturday morning from New York City, where she attended an all day conference of the Y. W. C. A. workers at the National Headquarters, 600 Lexington avenue, which was presided over by Mrs. John French, chairman of the national executive committee. Among the other executive members present being Miss Mable Cratty, general secretary; Mrs. John D. Roeloff, treasurer, and Miss Eva D. Bowles, director of the bureau of colored work.

Among those responding to the call coming from every section of the country were: Mrs. Charlotte Hawkins Sedalia, N. C.; Mrs. Addie W. Hunton of Brooklyn, N. Y.; formerly with the A. E. F. in France; Mrs. Geo. E. Haines, Washington, D. C.; Miss Nannie H. Burroughs, Washington, D. C.; Mrs. Mary McLeod Bethune, Daytona, Fla.; Mrs. Robert B. Moten, Tuskegee, Ala.; Mrs. Marion B. Wilkerson, Orangeburg, S. C.; Mrs. Richard S. Grossley, Jackson, Miss.; Miss Georgia A. Winget, Louisville, Ky.; Miss Lucy Laney, Augusta, Ga.; Mrs. John Hope, Atlanta, Ga.; Mrs. Grace B. Valentine, Bordentown, N. J.; Mrs. F. B. Williams, St. Louis, Mo.; Lillian Jones Brown, Indianapolis, Ind.; Mrs. W. J. McCoy, Charlotte, N. C.; Mrs. Addie W. Dickerson of Philadelphia, Pa.; Mrs. Emma S. Ransom of New York City, and Mrs. S. Joe Brown of Des Moines, Iowa.

A full report of the conference will be given publicly at a later date.

After the close of the conference were entertained at an informal reception given by the Committee of Management of the Colored Women's branch in their beautiful new building at 179th and 137th street.

While in New York City, Mrs. Brown also visited the national headquarters of the Y. M. C. A. as the guest of international secretaries, R. B. De Frantz, who will be remembered by Des Moines

Nephew's Body Disinterred by Order of Federal Authorities

(By The Associated Negro Press.)
Macon, Ga., Dec. 14.—Following the disinterment at Vienna, Dooly county, of the body of Henry Mitchell, a former soldier, who died on Dec. 31, 1919, Dr. M. Clarence Mitchell, of this city and uncle of the deceased, was arrested on a charge of murder. The investigation which resulted in the arrest of the physician was directed by federal investigators from the bureau of war risk insurance. The state charges that the physician poisoned his nephew to obtain \$10,000.00 government insurance and \$14,000.00 in private companies.

Mitchell was convicted last week in Macon county court on a charge of having forged the name of a white physician to a policy issued on his nephew's life. He was at liberty on \$5,000 bail. The viscera of the dead man has been sent to chemist in Atlanta for examination.

Charles Douglass, Son of Great Abolitionist Leader, Dead

(Special to the Bystander.)
Washington, D. C., Dec. 11.—Charles Redmond Douglass, one of the foremost abolitionists of the Civil war time, died last Tuesday night at his home 318 A street, northwest, following a short illness of less than two weeks.

Mr. Douglass was seventy-six years old and served in the 54th infantry during the civil war. He was one of the oldest and best known of Washington residents and until the time of his fatal illness was active in welfare and educational work in the city. He leaves to mourn his death, his wife, and two sons, Joseph H. and Haley G. Douglass.

Negro Population In Mobile, Ala.

(By The Associated Negro Press.)
Washington, D. C., Dec. 15.—The Negro population of Mobile, Ala., was announced by the Census Bureau as 23,983, an increase of 1,130 or .05 per cent. The white population was given as 36,896, an increase of 8,132 or 23.3 per cent. Chinese, Indians and others numbered 15.

NEGRO BIRTH RATE GREATER THAN WHITES

(By A. N. P.)
Raleigh, N. C., Dec. 15.—For the first time in the history of vital statistics in North Carolina the Negro birth rate in the state for the first six months of this year showed a larger percentage than did the white birth rate. From January to the end of June, 1920, there were 13,519 Negro children born in the state or 33.8 per cent per thousand population. During the same period the white is more than double the number of Negro births, but the percentage per thousand population is only 31.2 as compared with the 33.3 per cent of the Negro births.

citizens as having had charge of the army "Y" work at Ft. Des Moines during the colored officers training camp and Dr. J. E. Moreland, senior international secretary in charge of colored work, who also visited the Fort and En route to New York Mrs. Brown stopped in Buffalo for a brief visit with Mrs. Mary B. Talbert who recently returned from Norway and where she attended the International Council of Women.

En route home Mrs. Brown visited Dr. and Mrs. E. A. Carter in Detroit, Mich., and report Dr. Carter, Dr. Leo Walker and the Cary Bros., who operate a drug store all doing a big business. These Michigan gentlemen are each products of Iowa and Mrs. Brown was glad to bring back this report.

Negro Census Clerks Being Discharged

(By A. N. P.)
Washington, D. C., Dec. 15.—Although there is still plenty of work to be done in connection with the taking of the 1920 census, and, as has been stated, colored clerks in the Census Bureau have proved most proficient in the operation of the machines used in the taking of the census, word has come that, due to lack of funds, nearly every one of the colored clerks in this bureau has been notified "with no thought of prejudice, whatever," that he is no longer needed. This notification comes within a short period of the recent election.

Gathering of Negroes at Tuskegee in January

Tuskegee Institute, Alabama, Dec. 11.—Elaborate plans are being made for the thirtieth annual Tuskegee Negro conference which will be held at Tuskegee Institute, Wednesday and Thursday, Jan. 19 and 20.

"Needs of the South's Present Day Rural Life" is the general topic for discussion, and as usual the first day will be given over to the farmers and the second day to persons engaged in educational, Christian and social uplift work.

Dr. Robert R. Moton, principal of Tuskegee Institute, announces that the indications are that the conference in 1921 will be one of the largest attended in the history of this movement. A number of speakers of national importance have been invited to appear on the program and many of them have already accepted.

Special reduced rates on the railroads have been applied for and persons attending will be entertained as guests of the institute.

ECHOES FROM THE PULPITS.

Rev. I. H. Garrison, the new pastor of the Bethel church, has proven himself a strong man of integrity, power and knowledge. He is a splendid speaker and all of the city feels glad to welcome Rev. Garrison to our midst. Pilgrim's Rest church still is walking hand in hand with the prince of omnipotence, and is doing great work under the leadership of Rev. Dr. Moore.

First African church is counting the milestones one by one and it is hoped that when the 26th of Dec. shall have passed away it will be better farther on by \$200.00 as that is rally day and then she hopes to say that by June she be free from all indebtedness. St. Mary, the virgin, is progressing nicely, all praise must be given St. Mary for she is the only church who has an entertainment hall, aside from the church building.

A new organization known as the Widows' Aid society has been organized by the widows of the city, Mrs. E. J. Thomas is the president it seems to be a splendid thing for this city as she has many widows.

Police Station Held Up and Pal Freed

St. Louis, Mo., Dec. 10.—The police station at Venice, Ill., near here, was held up and robbed of its lone prisoner early today. Night chief McKee was alone in the station when a Negro entered and drawing a revolver, ordered him to release Matt Diamond, a Negro, of St. Louis, who was held on suspicion of complicity in a recent robbery.

Wealthy Negro Centenarian Is Dead

(By The Associated Negro Press.)
Kane, Penn., Dec. 14.—Scipio Young, Negro, age 101 years, born in slavery in Virginia prior to the Civil war, died here after a brief illness. When the Civil war broke out Young joined the Union forces at Fredericksburg. He was made a servant to Lieutenant Wilkinson and later served General Thomas L. Kane in a similar capacity. General Kane brought Young to this section when hostilities closed. Young's estate valued at \$50,000.00 goes to his six children.

Ga. Judge Orders Grand Jury Investigation

(By The Associated Negro Press.)
Albany, Ga., Dec. 15.—Judge John R. Wilson of the Dougherty County Superior Court ordered the Grand Jury to investigate the recent reign of lawlessness in the eastern part of the county, where many Negro families have been driven from their homes and some individuals have been whipped.

Besides convening the Grand Jury to make a thorough investigation, Judge Wilson instructed Sheriff Tarver to summon as many deputies as might be needed to police the district so as to afford protection to the residents, white and black. He said he proposed to make it entirely safe for Negroes to return to their homes and to remain. The action of Judge Wilson is being commended.

Professional and Business Men of City Organize

On last Thursday evening at St. Paul's A. M. E. church about forty of the business and professional men and women of the city met together at a dinner and outlined plans for the formation of a permanent club or organization whose object would be to look after and promote further interest and co-operation in the various lines in which they were engaged.

Temporary officers were elected as follows: Pres. Rev. W. H. Griffin, pastor of St. Paul's A. M. E. church; recording secretary, Mrs. N. G. Marshall, and treasurer, Atty. J. B. Morris. The executive board of the following persons will draw up a constitution and by-laws and present them at the next meeting: Mr. H. R. Wright, Tracy Blagburn, Rev. T. L. Griffith, Dr. A. J. Jefferson and V. L. Jones. The next meeting will be held the first Thursday evening in January.

Negroes Object to Curfew Hour in Jersey City

New York, Dec. 7.—(Special).—As a result of the wave crime that has swept over Jersey City for the last few weeks, leaving a wake of attacks, robberies and other crimes in its path, Public Service Commissioner Charles X. O'Brien of Jersey City issued an order today that all Negroes must be off the streets of Jersey City by 9 o'clock at night.

This order was issued after a conference today between the commissioner, Chief Battersby and all inspectors and captains.

Hearing of the drastic order against the Negroes, the Rev. W. A. Byrd, Negro pastor of the Lafayette Presbyterian church, voiced the protest of the Negroes and threatened to cite the police heads into court later in the day. Later reports state that the order has been rescinded.

DEATHS.

The voices of ones we loved are still. God our Father has done His own will. For angels assembled around the throne, Rejoice that God brings home his own.

On Wednesday afternoon, Dec. 1, 1920 at her home 1207 Johnson street, in answer to the general roll call of his eternal Creator.

Mrs. Jessie L. Wilson departed this life to live in the life beyond.

Mrs. Wilson was a loving devoted wife and loved by all who knew her. She had been a patient sufferer for about twelve months, but only bedfast about 16 days. She was a devout member of St. Mary's Episcopal church from which her funeral was held.

On Wednesday morning Dec. 8 at the home of his parents, a stranger in the form of death knocked at the door of that home and took the second eldest son of Mr. and Mrs. Alonzo Draine from his childish labors to a heavenly reward.

Mathan Parks Draine was seven years of age and a loving bright child, loved

N.C. Governor Appoints Commission to Study Negro Needs

Raleigh, N. C., Dec. 14. The commission appointed by Governor Bickett by authority of the General Assembly, to study the needs of the Negroes of the state and present recommendations for legislation, met in Raleigh for the first time and after a discussion of the general problem adjourned until the call of the governor.

The commission is composed of Representative W. N. Everett, of Rockingham; Senator G. V. Cowper, of Kininston; Mr. L. R. Varner, of Lumberton; J. G. Atkins of Winston-Salem, and A. M. Moore of Durham.

INEZ TO PRESIDE WHITE HOUSE KITCHEN MARCH 4

Washington, D. C., Dec. 11.—Inez, the now famous colored cook of the Harding family, who won laurels both at the Harding home in Marion and at the senator's town house in Wyoming avenue here, will come to Washington on March 4 and enter upon her duties as commander-in-chief of the White House kitchen.

Incidentally, the coming of Inez will thwart the ambitions of numerous other colored artists at the executive mansion during the regime of the Harding family, as many applications from "chefs" ordinary cooks, butlers and the like, all over the White House range have been anxious to wield the marshal's baton received by Mr. and Mrs. Harding.

To Editor of the "Bystander":
Allow me to give you a short report of our church work here.

It is a sad statement to make, yet it is true: This church has been sadly divided, scattered, and discouraged. Some gone to the different churches, left the church they once loved so well. But some few have stood by the church and are moving on. Persistence has not ceased to be a virtue.

I am glad to say, the people are returning, congregations growing each week, and interest is increasing, and members are taking on new life. While some are gone others are coming in to take their places. The auxiliaries of the church have gone to work with a telling effect. The Church Aid Society, Mrs. Lizzie Payne, President, with Mrs. Martha Herndon, Vice President, gave a one day bazaar last week and cleared \$116.25. They are planning great things in the near future. The members are rejoicing and the pastor is well pleased and encouraged. The Stewardess Board broke the ice some time ago, when they had a grand reception for the pastor and his wife. The other auxiliaries are having new life put into them. They are coming too.

Our first quarterly meeting Jan. 2, 1921, the Rev. Dr. W. C. Williams of Omaha will preach at 3 o'clock p. m.

—Rev. J. P. Sims.

by all his schoolmates and Sunday school members, teachers and everyone who knew him. His funeral was conducted by the Rev. I. H. Garrison at the family home Friday morning.

Delegation of Colored Men Confer with Rep. Dyer

(By The Associated Negro Press.)
Washington, D. C., Dec. 15.—A delegation of colored men appointed by the governors of the various states conferred on Thursday, Dec. 9, with Representative L. C. Dyer, of Missouri, author of the bill providing for the erection of a memorial building in Washington, in honor of the Negro soldiers and sailors who participated in all the wars of the country. It is expected that as a result of this conference plans will be effected looking to the early erection of the proposed memorial building.



REV. HAROLD M. KINGSLEY.

The above cut is that of the Rev. Harold Kingsley of Detroit, Mich., superintendent of the Negro work of the Congregational church of the north. His work extends from New York to San Francisco, Cal., Dr. Kingsley was born in Mobile, Ala., educated in Emerson Institute of Mobile. In 1908 he graduated from Tallegda college and in 1911 from Yale university. He is an active church worker.

Dr. Kingsley will give a lecture in our city at Union Congregational church, Dec. 30. ADMISSION FREE. Everyone is invited to come and hear this great leader of modern thought.

"JUST LIKE A LETTER FROM HOME"

THE BYSTANDER

—SENT TO THAT FRIEND OR
RELATIVE EVERY WEEK WILL
BE A MOST ACCEPTABLE
GIFT.

\$1.50 a Year Anywhere

PHONE WALNUT 899
ADDRESS: THE BYSTANDER CO., OVER 201
SEVENTH STREET, CHEMICAL BUILDING, DES
MOINES, IOWA.

and did not see your name in the Honor Roll call Walnut 899 and ask for Mr.

Hang the Expenses!

chests at bay, says a writer in the Philadelphia North American. The day

of persons of African birth of the

made at a meeting of colored profes-

short and pointed remarks greatly en-

was manifested through evening.

Gifts Suited to Everyone



A handkerchief or a tie case, or a pair of ribbon-covered shoe-trees make gifts suited to either men or women.

Hadn't Told Them. "And what is your new little brother's name?"

His Style. "So your son has joined an amateur orchestra. Does he play con amore?"

True. "God gives us our relatives." "Yep. But we're partly responsible for the wife's relations we get."

Our Ancestors. Howell—Do you believe in the Darwinian theory? Powell—Stop your monkeying.

Exactly. "I have found out we can have an open fire in our library."

Doubtful. "Do you think that poultry show was a fair one?" "I don't know. It certainly had some fowl exhibits."

The Preference. Professor—"There are some pleasant walks in life." Student—"I'd rather take the automobile spins."

Not Like Wall Paper. He—"I suppose you've read about this new paper clothing?" She—"No, really. Do they put it on with paste?"

"Wood alcohol is dangerous." "I should think it would be. Think of the danger from splinters."

Obvious Proceeding. "How rapturously he is gazing at the beauty of her liquid eyes." "Sh! He is drinking it in."

He Went, Anyway. "Let's see, your cousin went abroad on a fellowship, didn't he?" "No it was on a cattle ship."

Modern Life. "Do you help your wife with the dishes?" "No. There isn't room for both of us in the kitchenette."

A Mean Hint. She—"How is it that horses can win by a nose?" He—"Because they don't stop in the race to powder 'em."

Among Our Neighbors

ROCK ISLAND, ILL. ITEMS.

(Special to The Bystander.) Mrs. Ed Anson of Rock Island is visiting relatives in Palmyra, Mo.

Mrs. Marie Golden entertained the Progressive Art club last Wednesday afternoon. The club will sponsor a musicale and community Christmas tree at Legion hall, Dec. 23 for the benefit of all the children from 1 to 16 years of age.

Wayman chapel is taking on new life with Rev. Thompson as pastor, quite a few members have been added to the church in the past few weeks. The receipts from the Thanksgiving dinner was \$79.

SIoux CITY ITEMS.

Mrs. Irene Gordon, Supreme Grand Queen, Mrs. Ida Banks, Mr. and Mrs. Austin Dickerson and Mrs. W. G. Green of Omaha, Neb. were in the city Sunday, Nov. 28 to attend the memorial services for the late supreme grand king James Richard Gordon, founder of the Sons and Daughters of Jerusalem.

Mrs. Evelyn Boyds recital given under the auspices of the Ladies Aid society, at the A. M. E. church Thanksgiving was very largely attended. Mrs. Boyd was once a resident of Waterloo, Iowa and was known for her wonderful talent. Everybody was very well pleased and expressed their desire to hear her again.

CLINTON ITEMS.

(A. A. Bush.) The members of Bethel A. M. E. church met in a church conference on Wednesday, Dec. 1. The matter of organic union of the three Methodist denominations was considered, and its

adoption carried unanimously. Matters of vital importance to the church was gone over, being thoroughly discussed.

A quiet wedding of two of our young people was solemnized on Wednesday evening, Dec. 1 at 5 o'clock at the home of Rev. W. W. Williams officiating clergyman. The principals were Miss Adelaide Mann, daughter of Mrs. Ida Mann of Lyons, Iowa, and Mr. Orvil Wilder, son of Mr. and Mrs. Ben Wilder of this city. For the present they will reside with the brides mother.

An appropriate Christmas present would be a subscription to the Bystander.

Mrs. S. V. Emerson, who suffered a second stroke of paralysis some days ago is about as well as can be expected. She suffered a stroke of two years ago caused by being struck by an automobile. Since then she has been physically incompetent to get around properly.

The members of the Iowa Social club have again demonstrated their ability as entertainers on Tuesday evening, Nov. 30. They met at the home of Mr. and Mrs. Wesley J. Porter on Elm street. Cards with the names of the members inscribed upon them were placed in a hat. The name of Mr. Albert Bell was drawn which designated that the evening would be spent with that gentleman and his wife. It is useless to say that a pleasant time was the result. Music and games was the pleasure of the evening. The members of the Twentieth Century club were also guests of the occasion.

The Pastor's Aid society will give a two night bazaar on Dec. 10 and 11 at Bethel A. M. E. church.

Miss Minnie Thompson of Ottumwa spent Thanksgiving with relatives in Clinton.

Miss Evelyn Garrett of St. Louis is the guest of friends in Clinton. The social given at the home of Mrs. Bertha Williams under the auspices of the piano committee on Friday evening, Dec. 2, was a success notwithstanding the bad weather. Less than 10 months ago the committee started out to purchase a piano for Bethel A. M. E. church. Nothing preventing the piano will be turned over to the church early in the coming year.

Miss Alice Broomfield was baptised last Sunday evening. Evelyn Mayes united with the church at the service.

OTTUMWA ITEMS.

Miss Ellen Williams of Mason City is visiting her mother, Mrs. Lydia Greenup on Tisdale street.

Mr. Charlie McKinney left for Chicago, Ill., to visit his sister, Mrs. Houston.

Mrs. Dora Bradshaw and Mrs. Lydia Greenup are on the sick list.

Mr. Earl Wagner of Chicago, Ill., both returned after a short visit with his grandmother, Mrs. Robinson, on Fellows avenue.

Mrs. Alberta Graham is on the sick list this week.

NEWTOWN ITEMS.

Presiding Elder A. H. Hackley held his first quarterly meeting Sunday, Dec. 5.

Spiritual enthusiasm was at its height all day. The presiding elder preached Sunday morning and evening services. Both sermons were powerful. Morning theme: "Christ's Standard of Christian Love." Evening, "Christian Watchfulness."

Dr. W. H. Blanke of the Lutheran church this city, preached the communion sermon at 3 o'clock. His sermon was very instructive and inspiring. The Allen Christian Endeavors were pleased to have their presiding elder address them on progressive living.

The waist line entertainment given by the A. C. E. on last Tuesday evening was a great success. Receipts taken amounted to over \$18.

Mr. Thomas Fletcher and Mrs. Lettie Young were quietly married on Thursday evening Nov. 29 at the A. M. E. parsonage by Rev. J. D. Peterson.

Miss Alice Broomfield was baptised last Sunday evening. Evelyn Mayes united with the church at the service.

CLARINDA ITEMS.

Mrs. Glen King returned from Burlington being called there to the bedside of her sister.

Rev. and Mrs. Jones visited friends in Osceola a few days this week.

A program was given at the A. M. E. church for Bishop Tyres' memorial under the auspices of Mrs. Joe Jones.

Mrs. Ashford and daughter of Bedford visited Mrs. Gertrude Cason over Sunday.

Mrs. Henry Johnson of Gravitly visited Mrs. Robert Franklin Sunday.

STOPPED HER FITS

Mrs. Della Martin, a resident of Wurtzboro, N. Y., writes that she stopped her fits with a medicine that she read about in the paper. She says she has not had a fit since she took the first dose and that she wants every sufferer to know about this wonderful medicine and what it did for her.

EXTRA HEAVY ARMY COMFORTS



Weight 7 to 8 pounds, size 66x76. Stuffed with the purest of white cotton. Extra heavy covers, mostly Khaki in color, with a small per cent of floral designs. Beautiful extra strong comforts that are more serviceable than comforts costing from \$5.00 to \$11.00.

Hang the Expense! As George folded the fair young creature to his heart a dull, cracking sound smote his ear. "Ah! It's good-bye to those cigars in my vest pocket," he said grimly; "but hang the expense at a moment like this."

Printing

- Are You in Need of Tags, Cards, Blanks, Folders, Dodgers, Receipts, Envelopes, Statements, Bill Heads, Invitations, Packet Heads, Letter Heads. Call at this office

Good Work Is Our Specialty

KINGSLEY ARMY SHOE CO.

Government Shoes at One-Third Their True Value



20,000 pair genuine Russet Army Shoes, slightly worn, but neatly repaired and polished wherever necessary. All sizes from 5 to 7 1/2, dyed black and with rubber heels when requested without additional cost, \$2.45 a pair.

CHRISTMAS DECORATIONS

Add Greatly to the Enjoyment of Happy Days Order Early



The Christmas spirit is most enjoyed in homes where Holly, Mistletoe, Greens and Wreaths are used in artistic harmony.



Holly and Green Wreaths, Holly, Green and Mistletoe, Selected Christmas Trees. Made to order any size or style. We also have them already made up in the plain green, green and holly, all holly, or arbor vitae for decorations.

IOWA SEED COMPANY

Phone Walnut 268 209-211 Walnut Street

NOTICE IN PROBATE. To Whom it May Concern: You are hereby notified to appear at the Court House in Polk county, Iowa, on the 21st day of December A. D. 1920 at 10 o'clock a. m., to attend the probate of an instrument purporting to be the last will and testament of Maria Nesbitt, deceased late of Polk County, Iowa, at which time and place, you will appear and show cause, if any, why said will should not be admitted to probate.

Miles' Harmony Orchestra

- (Union Musicians) MRS. MENTZER MILES, Piano. MR. J. T. JOHNSON, Cornet. MR. HARRY CUNNINGHAM, Trombone. MRS. JONNIE SHAW, Violin. MR. HARRY MILLER, Drums.

ANNOUNCEMENT.

I WISH TO ANNOUNCE THE OPENING OF MY NEW FUNERAL PARLORS, LOCATED IN THE SHELLBURN BUILDING, 1208 CENTER STREET. IN HOUR OF SORROW WITH DIGNITY AND REVERENT CARE MY SERVICE RESPONDS TO YOUR PERSONAL REQUIREMENTS. I ASSURE YOU A FITTING TRIBUTE TO YOUR LOVED ONES. VIVIAN L. JONES, UNDERTAKER AND EMBALMER. Office Phone W. 2767 Residence Phone W. 4964

"Coughter Gets No Sympathy"

Even In His Home When the east away cry "let me in" you reply—"We are reluctant to seeff. You look so grotesque, you deserve to be rescued." If only you hadn't that cough. YOU MAY BELIEVE THAT COUGH BY USING

Mother Brown's Cough Syrup



orders promptly filled Address Mrs. KATTIE BROWN, 1033 Fourth Street Place, Des Moines, Iowa.

A Jolly Time

At The "SHELLBURN GARDEN" W. 12th and Center Sts. New Year Eve. Jazzy Jazz Music By Dysart's SYNCOPATED JAZZ ORCHESTRA For Your Pleasure The Public is Cordially invited Admission 50 cts. Jas. H. Woods, mgr.

New Center Cafe

1114 Center St., Res Moines, Iowa.

"IF YOU DON'T EAT HERE WE'LL BOTH STARVE." The "NEW CENTER CAFE," is now open day and night, under new ownership and new management, but with the same faithful service and "BEST CHEF" Mr. Clifton Perry and a full staff of able assistants.

- Regular Meals, 35 Cents. SPECIAL SUNDAY DINNER, 50 CENTS. SPECIAL SUNDAY DINNER, 50 CENTS. MENUS FOLLOWS. ROAST YOUNG TURKEY A LA DUMAS DRESSING CRANBERRY SAUCE

- PRIME ROAST BEEF AU-JUS, CANDIED YAMS, MASHED POTATOES, STEWED PEAS WITH CARROTS, PARKER HOUSE ROLLS, PLAIN BREAD, PUMPKIN PIE, Coffee, Tea, Milk, Cream, Cocoa. "NEW CENTER CAFE" 1114 Center Street, Harry W. Hammit, Manager

A Worth-While Habit.

"It is worth a thousand pounds a year to have the habit of looking on the bright side of things."—Samuel Johnson. Cured His Rupture I was badly ruptured while lifting a trunk several years ago. Doctors said my only hope of cure was an operation. Trusses did me no good. Finally I got hold of something that quickly and completely cured me. Years have passed and the rupture has never returned, although I am doing hard work as a carpenter. There was no operation, no lost time, no trouble. I have nothing to sell, but will give full information about how you may find a complete cure without operation. If you write to me, Eugene M. Pullen, Carpenter, 1070G Marcellus avenue, Manassas, N. J. Better cut out this notice and show it to any others who are ruptured—you may save a life or at least stop the misery of rupture and the worry and danger of an operation.

What You Want We Advertise

E. TRACY BLAGBURN CO.
Real Estate
Sales Notary Public Rentals
Lots, Acreage and Improved Property.
E. Tracy Blagburn L. J. Shelton
Phones D. 774. D. 4502. Market 1872,
509 Mulberry St.
Des Moines Street.

THE DUDLEY THEATER
209-211 North Second Street
St. Joseph, Mo.
Mrs. Chas. T. Phelps, Proprietress.

Roy E. Handy J. W. Bland
Handy and Bland
Funeral Director
Golden Rule Service
Golden Rule Prices
Phone Market 1488
1112 Center Street
Des Moines, Iowa

We deal in
USED FURNITURE
Bought sold or Exchanged
GRAND FURNITURE CO
911-13 Grand Ave Des Moines, Iowa
MRS. MABLE BLACKBURN
Over
919 Center St.
Phone Red 4981.
Neatly furnished rooms with bath for transients and by the week.
All new furniture and newly renovated apartments.

A Swell Barber Shop
Lady Barbers
If a girl loves a boy that's her business.
If a boy loves a girl that's his business.
If they both love each other that's their business.
If your need a hair, cut, shave, shampoo, shave that's OUR BUSINESS.
"A PEACEFUL SHOP"
Mrs. B. J. Roach & Mrs. O. V. Sweeney, Props.
923 Center Street.

HOTEL Williams
215-17 WEST Chestnut Street
New Hotel for Colored People
At Cost of \$3,800.
On October 1 a new hotel will open at 215-17 W. Chestnut St. for colored people. Rooms for light housekeeping and lodging by day or week. 40 rooms, steam heat and bath. Each room contains electric lights and gas. Information call 600 West Second. Phone W. 5779.
H. W. WILLIAMS, Proprietor.
Better known as Hustler.

FOR SALE.
Five-room house, water, toilet, gas for cooking. East front. Possession at once. Close in. Call or Write
JAMES B. MORRIS,
W. 899 201 Seventh Street

Claudius A. Meade, licensed broker, high grade stocks and bonds. Specialist in the stocks of the colored corporations of merit. 2401 7th Ave., New York, N. Y. Phone Audubon 1139. Branches in Boston, Philadelphia, Omaha and Los Angeles.



TEST THE THREE BRANCHES OF OUR BUSINESS

Cleaning Pressing Repairing

CENTER DRESS CLUB
W. J. Shepherd, Manager
Cleaning, Repairing, Dyeing and Tailoring
Satisfaction Guaranteed.
We Call for and Deliver
1012 Center St. Des Moines, Iowa
Phone Walnut 3746,
Unexcelled Service

WONDERFUL Discovery

AGENTS: Ray's Hair Straightener Big Money; 50 cents Box Free. Send 46 cents stamps for mailing, etc. Box 152, Indianapolis, Ind.
W. R. NEALEIGH & CO.

Sick Headache
This distressing disease results from a disordered condition of the stomach and can be relieved by taking Chamberlain's Tablets.—Adv.

Office Phone 8554-9881.
THEO. H. CAMPBELL
Funeral Director
Private Ambulance
715 West Sixth St. Sioux City, Iowa
Flowers for all occasions.

COME TO McCree's Drug Store

For
Careful Prescription Service, Madam Walker's Hair Grower, Kashmir Preparations, High Brown Goods, Black and White Preparations, and Straightening Combs. Prompt Mail Order Service.
11th and Center Sts. Des Moines, Iowa, Market 1485
Wade H. McCree
Prescription Druggist

For Eczema, Tetter and Salt Rheum. The intense itching characteristic of these ailments is almost instantly allayed by Chamberlain's Salve.—Adv.
Chamberlain's Cough Remedy.
Now is the time to lay in a supply of Chamberlain's Cough Remedy. It is almost sure to be needed before the winter is over. You will look a good while coughs, colds, croup and whooping cough or one that is more pleasant to before you find a better remedy for take. It meets with favor everywhere. Buy it now and be prepared.—Adv.

INTERURBAN SHINE PARLOR.
All ladies cordially invited. Our motto is quality and efficient service. 421 W. Second Street. Geo. Brown, Prop.
Taxi Service
Service is at your service at all times. Call Walnut 2173.

Typewriters, Adding Machines and Check Protectors. All makes bought and sold. Agency Woodstock and Gouland Typewriters.
General Typewriter Exchange, 511 Mulberry Street, Market 2474.

SPECIAL NOTICE.
Sufferers from Flu, Asthma, Bronchitis and Rheumatism will secure information free how to get relief in 20 minutes. Address 1320 West Twentieth St., Des Moines, Iowa.
From One Who Suffered

E. H. Haskins H. J. Haskins
"The Store of Quality"
HASKIN DRUG CO.
Successory to E. L. Twining, Prescriptions Carefully Compounded. Mail Orders on all Preparations Promptly Filled. We deliver. N. W. Cor. 11th & Center.

BERT JOHNSON,
Cleaner and Dyer
Jewelry, Pressing, Altering, Repairing Work Called for and Delivered.
We do first class work. Ph. Wal. 7374
1108 Center St. Des Moines, Iowa

JOHNSON'S CAFE
Meals at All Hours
Popular Prices
Mrs. Ethel Johnson, Prop.
308 W. Grand Ave. Phone Wal. 3545.

OUT RATE DRUG CO.
Willis Wolfe, Ph. G. Prop.
Very Best Drugs in City
1000 Center St. Des Moines, Iowa

JAMES B. MORRIS
Attorney at Law and Notary Public
Abstracts Examined, Real Estate for Sale.
201 Seventh St. Phone, Walnut 899
adv.

L. JACOBS FURNITURE CO.
Will buy or sell. We pay highest prices for stoves and furniture.
221 Locust Street.

ATHLETIC HAMBER SHOP
Hair Cutting by Electricity
Cigars and Soft Drinks
Shoe Shining
919 Center
O. WELDON & STONE BROS., Props.

Make your home at
THE RIVERVIEW HOTEL
101 Main Street, St. Joseph, Mo.
JOSEPH SMITH, Prop.
Steam heated, electric lights, hot and cold water in each room.

WHO'S WHO IN DES MOINES LOCALS

Mr. and Mrs. G. W. Stanton of Pleasant street are spending the week end in Chicago.

Mrs. W. W. Ewing of Waterloo, who has been visiting relatives and friends in the city the past ten days, returned to her home Friday evening.

Mrs. J. R. Roberts is leaving the city Thursday night for Kansas City to attend the wedding of her son, Mr. Alfred Wilson.

Mr. Jesse Graves of Chicago, Ill., a former Des Moines boy, is visiting relatives and friends in the city.

Mrs. W. W. Ewing was the guest of honor at a small dinner party given Wednesday evening by Mrs. Fred Helton at her home, 944 Fourteenth street place.

The Rev. W. L. Lee, presiding elder in the Methodist Episcopal church returned to his home in Kansas City, Mo., this week.

Mrs. J. B. Taylor of Fourteenth and Crocker streets was hostess Wednesday afternoon to the Phylis Wheatley club.

Mr. Walker Hill of Springfield, Ill., will arrive in the city the first of next week to spend the holidays. He will be the guest of Mr. and Mrs. Fred Watson of 1219 East Sixteenth street.

Mrs. N. C. Marshall of 1026 Fourteenth street entertained at luncheon Wednesday in honor of Mrs. W. W. Ewing of Waterloo.

North Star lodge No. 2 and Doric lodge No. 30, A. F. & A. M. will hold joint services Monday evening, Dec. 27 at St. Paul's A. M. E. church, celebrating St. John's the evangelist. Rev. T. L. Griffin will give an address on the life and works of St. John. A splendid program of addresses and music has been arranged for the occasion.

Mr. and Mrs. J. B. Taylor will leave Thursday for St. Louis, Kansas City and other southern cities. They will be gone for about six weeks. Chicago and Springfield, Ill., will be visited also before their return to the city.

The secretary of the Y. W. C. A. association extends an invitation to all women and girls of the city to attend the Sunday afternoon services held each Sunday at 4:30 o'clock at the Tenth street Center. The exercises Sunday will be in charge of Mr. Burnam.

The D. Y. W. Y. K. Art club met with Mrs. Wilkerson Tuesday afternoon. The members will give their annual Christmas party Dec. 21 at the home of Mrs. Winslow, 1050 Fourth street place. All members are requested to be present.

Mrs. S. Joe Brown returned Saturday from New York City, N. Y., where she attended a meeting of Y. W. C. A. workers. The object of the gathering was to further plans for the development of the Y work among the colored girls and women of the various states and cities.

The ladies of the S. M. T. temple surprised Mrs. C. B. Woods at her home Monday evening, Dec. 13, 1920. They stormed her home at 9 o'clock. They presented her with a beautiful purse for a Christmas gift. They brought their refreshments with them, which were served about 11 o'clock. All departed at a late hour wishing Mrs. Woods success in her onward drive as their worthy princess.

Good Advice.
Take Chamberlain's Tablets as soon as you have finished your supper and they will produce a gentle movement and they will produce a gentle movement of the bowels on the following morning. They will also improve your digestion and make you feel better in every way.—Adv.

Royal Pageant

A COMPANY OF ARTISTS WILL ENTERTAIN YOU WITH REPRESENTATIONS OF ART, HISTORY AND LITERATURE ON TUESDAY EVENING, DEC. 28 AT 8 O'CLOCK AT ST. PAUL'S CHURCH, TWELFTH AND CROCKER STREETS—UNDER THE AUSPICES OF THE USHER'S BOARD.

A NUMBER OF OTHER FEATURES IN MUSIC WILL BE GIVEN. THIS IS THE FIRST PAGEANT OF ITS KIND GIVEN IN YOUR CITY. DO NOT MISS SEEING IT.
ADMISSION 25C.

Get For Christmas

The Only Great Colored Child Book "First Steps and Nursery Rhymes."
Put this book in your child's hands and watch your child grow up true to all the noblest principles of life. No book has ever been written before that teaches the colored child so much of goodness holding out to its child mind the true way to a life of usefulness.
Agents are reaping a harvest selling "First Steps and Nursery Rhymes." The students of a college in the southwest have ordered ten thousand copies and are selling them to the mothers and fathers of colored children.
We have requests for the exclusive agencies in several of the southern states this is because it is the best selling book ever put in the hands of colored agents.
Hurry and order your book for Christmas to some dear little girl or boy. Price \$1.00.
Address Dr. M. A. Majors, 4700 State St., Chicago, Ill.

JOINT INSTALLATION.

The members of King Solomon mandery No. 6, Knights Templar and of King Solomon Guild No. 4, Heroines of the Templar Crusades, the recently established ladies' auxiliary of the mandery, held a public joint installation at North Star Masonic Temple last Thursday evening.

Noble Princess Jesseve E. McClain, Grand First Lieutenant of Illinois and Iowa, acted as installing officer of the mandery, held a public joint installation at North Star Masonic Temple last Thursday evening. Noble Princess Jesseve E. McClain, Grand First Lieutenant of Illinois and Iowa, acted as installing officer of the mandery, held a public joint installation at North Star Masonic Temple last Thursday evening. Noble Princess Jesseve E. McClain, Grand First Lieutenant of Illinois and Iowa, acted as installing officer of the mandery, held a public joint installation at North Star Masonic Temple last Thursday evening.

OBITUARY.

Mary Virginia Griffin was born in Uniontown, Pa., in the year of 1844. She was 76 years, 3 months and 14 days died in Des Moines, Iowa, Nov. 30, 1920, old. She is survived by her husband, John Griffin and three children, Mrs. Florence Fidler of Mt. Pleasant, Iowa; Otto Griffin of Lincoln, Neb., and Lloyd Griffin of Des Moines and several other relatives and friends. Funeral services were from her residence Dec. 2, 1920 at 2 p. m. The Rev. Griffin of St. Paul's A. M. E. church in charge.

CARD OF THANKS.

We wish to thank our neighbors and friends for their kindness to us during the sickness and death of our wife and mother, and for the many beautiful floral tributes.
John Griffin,
Florence Fidler,
Otto Griffin,
Lloyd Griffin.

WITH OUR CHURCHES

Quarterly meeting services held at Asbury chapel last Sunday afternoon at 3:30 o'clock were largely attended. The presiding elder, the Rev. W. L. Lee of Kansas City, Mo., and the pastor the Rev. T. J. Jones were in charge. The sermon was delivered by the Rev. E. S. Haridge, pastor of Zion A. M. E. church of this city. According to the announcements made by the officers of the church the basement of the new structure which is being erected for the congregation will be ready for occupancy about Jan. 1.

Mrs. Bullock Recommends Chamberlain's Cough Remedy.
"Last winter when my children were sick with colds and were coughing a good deal I gave them Chamberlain's Cough Remedy," writes Mrs. C. M. Bullock, Gorham, N. Y. "It relieved them at once and under this treatment all symptoms of the cold gradually disappeared. My experience with this medicine warrants my recommending it to others."—Adv.

Blagburn & Shelton Pharmacy
PRESCRIPTION DRUGGISTS

1200 enter St. Phone Wal. 2738

"WE ARE HERE TO SERVE YOU"

WE CARRY A COMPLETE LINE OF
Toilet Preparations Drugs
Rubber Goods Sundries
Candies Cigars

Our Fountain service is unexcelled
Curtuous treatment and efficient service
Always.

J. Frank Blagburn, Mgr.

Beauty Parlors Issue Call

FOR HUNDRE OF TRAINED WOMEN
The work is Fascinating And Lucrative
\$15. to \$35 Per Week Jobs Waiting For YOU
You Can Easily Get One- We Teach You How
Our course includes Shampooing, Scalp Treatments, Facial Massage, Electrolysis, Manicuring, Marcel Waving, Fair Manufacturing, etc.
When you have finished we put you in touch with the best openings in this country's finest Beauty Shops or weathen...
Knox Graduates Can Work Anywhere
FOR RATES, SEND FOR BOOKLET
Don't Procrastinate DO IT NOW

KNOX COLLEGE OF Beauty Culture

451 East 31st Street, Chicago 1

THE FAMOUS IA. CLEANING CO

Chas. O. White, Manager

Cleaning Pressing Dyeing

Phone Maple 462 414 E. Walnut

Des Moines, Iowa

We use the "PRESTO" Laundry Steam Pressing Machine Disinfects Garments Thoroughly removes all germs. No burning scorching or shining the only Press Equipped with a Vacuum Cleaner removes every particle of dirt. Hats Cleaned and blocked. Ladies and Gents Shoe Shining Parlor Altering and Repairing.

OUR GREATEST ASSEST IS SATISFIED CUSTOMERS

If It is a Bilious Attack. Take three of Chamberlain's Tablets and a quick recovery is certain.—Adv.

Small Dogs Quickest to Learn.
The best kind of dogs to train to perform tricks are the smaller ones, such as terriers, poodles, spaniels, collies, and dachshunds. The poodle is the cleverest of all.

HOUSE FOR RENT.
A five-room dwelling house for rent, \$15 per month. Phone D. 4392. Mrs. M. Lewis, 2423 S. E. Court 8th St.

For That Dull Feeling After Eating.
"I have used Chamberlain's Tablets for some time, and can testify that they have done me more good than any tablets I have ever used. My trouble was a heavy dull feeling after eating."—David Freeman, Kempt, Nova Scotia. These tablets strengthen the stomach and improve the digestion. They also regulate the liver and bowels. They are far superior to pills but cost no more.—Adv.

Geo. C. Young,
Jewelry and Notions,
A special line of Holiday Gifts.
Watch Repairing.
Drake 966. 1110 Center St.

NICE ROOM FOR RENT.
For quiet single person or married couple. Phone Black 3744. Call P. M. or A. M.

ROOM FOR RENT
For couple or single person. I also do all kinds of sewing work. Mrs. Katie Thomas, 907 Seventeenth Street.

Improve Your Digestion.
If you have weak digestion eat sparingly of meats, let at least five hours elapse between meals, eat nothing between meals. Drink an abundance of water. Take one of Chamberlain's Tablets immediately after supper. Do this and you will improve your digestion. Got Her Good Health Out of a Bottle.

Slightly used clothing for fifty women, saving man, and odd lots for children. Phone D. 4847-J. 954 14th Street Place.

THE IOWA FAMOUS CLEANING CO.
414 E. Walnut is now prepared to handle Ladies and Gents Tailoring. Also Altering and Relining Promptly. Phone Maple 462.

A Real Place To Eat

First Class Place
For First Class People
\$5.25 Meal Ticket For \$5.00
McKEE CAFE
208 Third Street.

Serious Results from Colds.
Colds not only cause a tremendous financial loss but are also a serious injury to every one who contracts them as they lower the vitality and prepare the system for the more serious diseases. It is not at all unusual for people who have serious lung trouble to say "I had a hard cold last winter." Why not take Chamberlain's Cough Remedy and cure your cold while you can.—Adv.

Notice
Hear The Worldwide Evangelist
Rev. S. C. Crutcher

Those that desire His Service: Address
Rev. H. C. Claybrook, 1551 Buchanan.
Des Moines, Iowa

THE BYSTANDER

Publishing every Thursday by the Bystander Publishing Company, Des Moines, Iowa. Office in Chemical Building, Corner of Seventh and Mulberry streets. Phone Walnut 899.

Entered at the Post Office of Des Moines, Iowa, as Second Class matter. LAURENCE C. JONES, Publisher and Editor. MRS. ELBERT B. HALL, Editorial Manager. ROBERT J. DURR, Circulation and Advertising. THAS. M. SHED, Secretary and Treasurer.

SUBSCRIPTION RATES:
To any part of the United States one year, postage paid \$1.50
Six Months .75

ADVERTISING RATES:
Display, per inch \$5.00
Reading Notices, per line .10
Contract rates given upon applications.
All Advertisements paid for in advance.

All matter should be addressed to
THE BYSTANDER PUBLISHING COMPANY.
Des Moines, Iowa.

Weekly news letters must be received not later than Tuesday of each week.

One feature of note was the orchestra of Mrs. Oscar Roper; violinist, Mr. Oscar Roper of Hocking; cornetist, Mr. Charles Washington; trap drummer, Mr. Lawrence Butler. Prizes for selling tickets were awarded Mr. Herman Glen of Albia and Miss VanDevor of Hock. Heavy snowfall here, snowing all day.

CLINTON ITEMS.
Rev. and Mrs. J. W. Tutt of Davenport were guests recently at the home of Mr. and Mrs. J. W. Porter on Elm St. The Iowa Social and Twentieth Century clubs met Monday evening at the home of Mr. and Mrs. A. A. Bush on Eighth avenue. After the business session a social hour was spent.

The bazaar given by the Pastor's Aid Friday and Saturday evenings was a success. \$100,000 was netted from the effort.

The items of last week failed to appear. We hope they will not be omitted this week.
Mrs. W. M. Whittaker and baby son left Monday for their home in Minneapolis after a pleasant visit with her parents, Mr. and Mrs. J. W. Porter.
Mr. and Mrs. M. O. Culbertson were the victims of a surprise on Wednesday.

CHRISTMAS GREETINGS.
Now, as the gracious and happy season of Christmas time approaches, The Bystander takes this opportunity to extend to everyone of its readers those friendly greetings and hearty good wishes we should be so happy to express to each of you face to face and hand in hand on Christmas morning.

I will honor Christmas in my heart, and try to keep it all the year.—Dickens.

THE PLEASURE OF READING.
What are the objects men pursue in reading. They are these: Amusement, instruction, a wish to appear well in society, and a desire to pass away time. Now even the lowest of these is facilitated by reading with method. The keenness of pursuit thus engendered enriches the most trifling gain, takes away the sense of dullness in details, and gives an interest to what would otherwise be most repugnant. No one who has never known the eager joy of some intellectual pursuit can understand the full pleasure of reading.

There is another view of reading which, though it is obvious enough, is seldom taken, or at least acted upon; and that is that in the course of our reading we should lay up in our minds a store of goodly thoughts in well-wrought words, which should be a living treasure of knowledge always with us, and from which, at various times and amidst all the shifting of circumstances, we might be sure of drawing some comfort, guidance and sympathy. In any work that is worth careful reading, there is generally something that is worth remembering accurately. A man whose mind is enriched with the best sayings of his own country is a more independent man, walks the streets in a town, or the lanes in a country, with far more delight than he otherwise would have; and is taught by wise observers of man and nature to examine for himself. There is a very refined use which reading is put to, namely, to counteract the particular evils and temptations of our callings, the original imperfections of our characters, the tendencies of our age, or of our own time life.

PUBLIC OPINION.

THE COLORED MOVIE PROBLEM.
When, oh, when, will the colored man wake up to the fact, that if he doesn't patronize his own movie houses, run and controlled by his own race, he needn't expect the man of the other race to do so.

The Lincoln theatre is run on a first class basis, shows first class pictures that are seen at the leading Des Moines theaters, and yet they will pass it up and walk or ride downtown where they are segregated.

There was a couple made to stand outside in the front entrance of a certain theatre during the entire performance of a picture, because there were two couples of whites sitting back in the segregated section, and the usher, rather than ask them move up, or give the colored couple seats ahead of them, they refused their entering, until after that picture had been shown and these said couples vacated those seats. Yet the movie fans will stand such tommy rot rather than patronize their own theatre where they are made welcome, and their movie entitles them to any seat in the house.

The "Lincoln" is a beautiful theatre and should be a credit to that part of Des Moines and to the entire colored population.

Will you continue to pass it by and eventually see it fail? I AM TALKING TO YOU.

Jonnie J. Shaw.

MT. PLEASANT NEWS.

Messrs. Fred Price and Glen Mitchell of Burlington were the guests of the Misses Opal and Florence Newman Sunday.

Mrs. Edna Graham of Burlington visited with Mrs. Bernice Bramble last Sunday.

The King's Daughters met with Mrs. Everett Reed last Friday and a most enjoyable time was had.

Rev. Handy preached two strong sermons last Sunday.

Mrs. Geo. Coleman entertained for dinner last Sunday her two nieces, the Misses Opal and Florence Newman, Miss Dorothy Anderson and Messrs. Fred Price and Glen Mitchell of Burlington; Messrs. Wm. Hubbard and Raymond Dabner of Fairfield. All had a most delightful time and voted Mrs. Coleman a fine hostess.

B. Y. P. U. met last Sunday evening at regular hour. The topic was "Wise Sayings and How They Help Me." The discussion was very lively.

The Missionary society met with Mrs. Nellie Thompson last Monday. A very nice time was spent.

Mrs. Harriet Smith keeps quite poorly.

Mrs. Ellen Nocks is not very well.

Mrs. Eugene Patterson is on the sick list.

ALBIA NEWS.

The Sewing Circle club met at the home of Mrs. Maggie Gordon on Monday afternoon, light refreshments served by the hostess.

The entertainment at the A. M. E. church given by Mrs. C. D. Washington was a success, fine music and singing.

"ELIMINATE THE PREJUDICE WITHIN OUR BOUNDARIES."

(By Robt. D. Durr.)

The word prejudice has become a sicken expression—there seems to be a constant effort domestically and in the far-dung posts of civilization to cast into oblivion this ruthless, menacing reptile of which I speak.

These so-called solutions that seem to increase the angry of this hideous reptile instead of sapping from his anatomy the deadly virus called "prejudice" and which has culminated into what we commonly term a "race problem" which is nothing but the coming back of molded bread thrown upon the waters years ago wrapped with tissue paper made by the soft words uttered by a host of yellow villains seeking supremacy at the expense of helpless infant nation, tied with red strings made of promises of simple justice and a square deal in the future—a future that seems to get farther and farther away instead of nearer.

After the war closed we sought to quench our thirst and hunger by feasting on the contents of the package that we thought the sacrifice of lives, resources and hopes would make pure the world over—and especially in America—but, did it purify the interpretations of Lincoln's Gettysburg speech?—I answer! No! but, what did it do? Amid the great celebration of a victory that was supposed to have broken the chains of despotism, democracy and prejudice from the hands of not a few, but, of all MANKIND—Oh! No, no, no, just a moment—we turned and we saw a host—yes a host that couldn't be numbered, with their banners of hatred kissing the sky, their songs of feudalism echoing the dominating intent to "keep the black man down." The merciless hordes are still led by a Nero-Kaiser like captains whose very soul is petrified with the all-prejudice blood of a humane octopus.

FELLOWMAN.—There is another form of prejudice that resides within the chasms of our boundaries, that if thrown into chaos' lowest depth would mark an other epoch in Afro-American progress—that prejudice that causes one colored man when asked by someone as to the reliability of another of his same race to say that "he is alright, but, so and so, etc.," instead of saying that "he or she is alright as far as I know" leaving the other for the interested one to find out for perhaps after an investigation the ones that you have reputed to be dangerous have proven to be better than you are.

Eliminate the prejudice that prompts one colored groceryman to speak ill of the others stock. Eliminate the prejudice that prompts one businessman to knock instead of boost his competitor who is in the same line or different lines who may happen to have something that you don't have or that is more able to handle a particular situation than you are. Eliminate that prejudice that prompts one minister to denounce the principles of another in a different denomination, instead of preaching and teaching the brotherhood of man and the salvation of the world.

Every man should make himself an advertising medium for the eliminating in not so much for national prejudice but for the prejudice that exists within our boundaries of his or her soul, church, school, lodge or any other organization and the other great prejudice will take care of itself.

There may be one some where but we have never heard of a law that prohibited a Negro from opening a grocery store, a shoe shop, a canning factory, a haberdashery or buying a piece of land, the only law that holds the Negro back is drawn against and by himself. Clear your soul of its petty prejudices!



The Squirrel

provides for the future by putting away a little at a time

Do You?

Join Now--Fifteen Classes Now Forming

4 Per Cent Interest Paid On All Our Classes

Home Of

The Christmas Savings Club

Iowa Loan & Trust Company

BANK

The Original Christmas Savings Club Bank in Des Moines
Hippee Bldg. Ground Floor 210 6th Ave.

Subscribe, Read & Boost Your Paper

Make Christmas "Merry" The New Year "Happy"

While giving, give that which pleases extraordinarily on Christmas day and serves sumptuously each day throughout the years to come.

Come in to our Appliance Department!!!

There you will find gifts that will please and that will please you to give.

Sewing Machine

Percolator

Iron

Toaster

Curling Iron

Waffle Iron

Electric Sweeper Vac

The most complete Cleaner and Sweeper

Sold on small payments

Toaster Stove

DES MOINES ELECTRIC COMPANY

Walnut 5300 — 8th and Locust

evening of last week, when the members of the Iowa Social and Twentieth Century clubs paid them a visit. The evening was spent pleasantly with music and games. Refreshments were served which the self-invited guests had brought.

The annual election of officers of the Twentieth Century club resulted as follows: President, Mrs. Frances Culbertson; Vice President, Mrs. Essie Porter; Secretary, Miss Beatrice Williams; Treasurer, Mrs. Sadie Lovell.

At a recent meeting of Leah chapter, O. E. S. the following officers were elected: W. M., Mrs. Emma Heron; Associate W. M., Mrs. Mary Williams; W. P. C. I. Thompson; Treasurer, Miss Minnie Sayles; Secretary, Mrs. May Thompson; Conductress, Mrs. Missouri Slater.

The Christmas program and tree of Bethel A. M. E. S. S. will be held Thursday evening, Dec. 23.

CEDAR RAPIDS NEWS.

SMITH-HORNE.

(Special to Bystander.)

An event of interest to Cedar Rapids and the people throughout the state of Iowa is the marriage of Mrs. Lulu B. Horne of Cedar Rapids and Mr. Alvin L. Smith of Chicago which was solemnized Wednesday, Nov. 3, 1920 in Chicago, Ill.

The ceremony was performed at 8 o'clock by the Rev. B. U. Saylor, pastor of Waymen chapel.

Mr. and Mrs. Smith will be at home to their many friends 2904 North Clark street, Chicago, Ill.

William Henry Martin died at the home of his son-in-law, Mr. W. L. Warren, 1925 K street west, Saturday morning at 4 a. m. Mr. Martin was born in Virginia in 1837. He had lived in the vicinity of Cedar Rapids for the last thirty-four years. He is survived by four sons and three daughters.

George and Carl of Chicago, James of Arkansas. Robert of this city, Mrs. L. Sadler of Chicago, Mrs. Iva Kilburn of Minneapolis and Miss Fern Martin of Minot, N. D. Funeral services were conducted from Mt. Zion Baptist church Tuesday afternoon and was largely attended by friends. The services were conducted by Rev. Griffith of Des Moines assisted by Rev. A. B. Collins, Rev. A. Ford and Rev. C. R. Waters.

Mr. C. Conway of Tipton is seriously ill at Mercy hospital. Mr. Conway is the father of Charles Conway, who has many friends in Cedar Rapids.

Mrs. Laura Aikens and Mrs. Julia McGee is convalescing.

Mr. and Mrs. George Tyler entertained at dinner Monday evening, Mr. and Mrs. A. G. Gray and son, Delmas, Mrs. E. C. Thomas and Mrs. G. W. Ashby. Place cards being Christmas cards.

Keep Your Hair Straight and Neat The Sanita Brush

of velvety wire is especially built to straighten and soften kinky and curly hair. IT IS NOT A COMB

but a genuine patented BRUSH of velvety wire. It is the greatest invention for straightening kinky hair, cleaning the scalp, removing dandruff, and aiding the growth of hair.

It can be used with any liquid or salve. It is efficient, harmless, and pleasant to use.

The Doctor says: "The SANITA BRUSH is a great aid to the hair."

\$2.00 delivered to your home by insured post. Money back is not satisfactory.

FREE A good-sized tube of Dixie Sani-Pomade FREE upon request with order.

Its Not a Comb
The Sanita Brush Co. Dept. 43
1509 Eastern Parkway, New York, N.Y.

Dr. M. Fryor, President of the Fryor Chemical Co., Chicago, was in the City Monday. The Fryor Chemical Co. is one of the largest concerns of its kind in the country, manufacturing the Famous JAPO WONDER SOAP and Toilet Articles. This Company Employs many men and women in various capacities. Dr. Fryor placed the Famous JAPO Wonder Soap on sale at the leading Des Moines Drug Stores for the benefit of the thousands in this city who are using the JAPO Goods. Our Popular Drug-Store Blagburn, placed a large order with the Fryor Chemical Co., for a full and complete line of the Famous JAPO GOODS. Ladies take advantage of this opportunity to beautify yourselves by using the JAPO Bleaching Cream, Vanishing and Cold Creams. Men get wise and use JAPO WONDER SOAP for beautifying your hair. Call at Blagburn's Pharmacy, 1200 Center Street or any Drug Store.

Player Piano Owner's

Get These New 'BLUES' for your Player. The OWENS music masters hand played roll is the best for dancing; the only guaranteed Dollar Roll on the Market. TAKE advantage of our SPECIAL REDUCTION OFFER.

- 'Dardenella Blues'
- 'Early Mornin' Blues'
- 'Million Dollar Blues'
- 'You Can't Keep A Good Man Down'
- 'Read 'Em and Weep Blues'

Sent upon receipt of \$3.50. Send your order TODAY.

Address: Dennis B. Owens, Jr., Inc., Roll Dept., Kansas City, Mo.

Extra Special Sale In Our Bargain Basement Suits and Overcoats \$27.00 Former \$40, \$45 and \$50 Values

THE SUITS ARE MOSTLY THE "YORKSHIRE BRAND" HAND TAILORED, ALL WOOL. BROWN, GRAY, BLUE AND GREEN TWO-TONE EFFECTS, STRIPES, CHECKS, NOVELTIES AND BLUE FLANNELS. MOSTLY YOUNG MEN'S SINGLE OR DOUBLE BREASTED MODELS—A FEW MEN'S SUITS IN REGULAR, STOUTS, LONGS AND SHORTS ARE INCLUDED.

THE OVERCOATS ARE ALL WOOL MELTONS, IN OXFORD GRAY, BLUE, BROWN AND FANCY PLAIDS; ULSTERETTES WITH HALF OR FULL BELTS; DOUBLE BREASTED FORM FITTING MODELS, AND A FEW STAPLE CHESTERFIELDS; GOOD WEARING GARMENTS, REAL BARGAINS.

"THE GOOD CLOTHES STORE"
Frankel's
513-515-517 WALNUT ST.



Holiday Sale Of Neckwear

HUNDREDS OF BEAUTIFUL SILK TIES. THE KIND THAT A MAN WOULD CHOOSE FOR HIMSELF. WOMEN WILL MAKE NO MISTAKE IN CHOOSING HIS GIFT FROM THIS WONDERFUL ASSORTMENT.

\$1.00 Ties Now 69c
\$1.50 Ties Now 95c
\$2 & 2.50 Ties Now \$1.45

ALSO A WONDERFUL ASSORTMENT OF HANDSOME SILK MUFFLERS, BEAUTIFUL COLORS IN RIBBON SILKS, CUT AND SEWED SILKS AND KNITTED SILK SCARFS. THESE ARE SALESMEN'S SAMPLES. MADE TO SELL AT \$2 TO \$10.



Mr. and Mrs. Geo. H. Edmunds of 1410 East Eighteenth street are the proud parents of a baby girl born Dec. 7. Mother and child are doing nicely.

The Callanan Industrial club met Wednesday with Mrs. Gus Nichols. On next Wednesday afternoon the ladies will enjoy their annual Christmas dinner at the home of Mrs. Henry West. All members are urged to attend.

Rev. S. Bates, Rev. G. W. Robinson and Rev. E. G. Green returned Saturday from Burlington where they attended a board meeting of the Baptist association of Iowa.

Mr. Redmond has returned from Webster City, Mo., where he attended the funeral of his brother, who died on Thanksgiving day.

Watch for the date of the four-act drama entitled "My Lady Derrell" or "The Mysterious Marriage," which will be presented in the Lincoln theatre in the very near future.

The colored Elks of the city will entertain and delight citizens of Des Moines on the evenings of Dec. 20 and 21, when they will appear in a grand benefit minstrel. All proceeds of this entertainment will be used to bring cheer, gladness and happiness to hundreds of little boys and girls of the city and also to the needy elders of the community on Christmas day.

Let each boy and girl be present on Christmas day at the Lincoln theatre, Tenth and Center streets, hours 1 until 5. The manager and the Elks have invited Santa Claus to be present and he will have gifts and candy for all.

How To Be Healthy.

If you would enjoy good health keep your bowels regular and your stomach and liver in good working order. This is easily done by taking Chamberlain's Tablets. These tablets strengthen the stomach and regulate the liver and bowels. They are easy to take and mild and gentle in effect. They only cost a quarter.—Adv.

666 WILL BREAK A COLD, FEVER AND GRIPPE QUICKER THAN ANYTHING WE KNOW, PREVENTING PNEUMONIA.

FOR RENT.

5-room modern bungalow at 1047 West Eleventh Street, \$30 per month. Paved street.

E. TRACY BLAGBURN CO. Phone W. 2738. Mar. 1872. D. 774.

666 WILL BREAK A COLD, FEVER AND GRIPPE QUICKER THAN ANYTHING WE KNOW, PREVENTING PNEUMONIA.

666 IS A PRESCRIPTION FOR COLDS, FEVER AND LAGRIFFE. IT'S THE MOST SPEEDY REMEDY WE KNOW.

Yunker Brothers

What a Dollar Will Buy in Toyland

TEDDY BEARS AT \$1—they are of the size that usually sell at \$1.55; every boy and girl loves a Teddy.

DRESSED DOLLS AND CHARACTER DOLLS AT \$1—they are \$1.50 dolls with beautiful wigs. They go to sleep.

MECHANICAL TOYS FOR \$1—racing automobiles and mail cars that go when wound; they are well made toys.

TEN PIN SETS AT \$1—they are made of hard wood and are varnished. They are a good indoor game.

RED AND WHITE ENAMELED CHAIRS AT \$1—for little folks' room. They are regular \$1.39 chairs.

TOY ALUMINUM KITCHEN SETS AT \$1—they are pure aluminum and are made just like mother's dishes.

TOY KITCHEN RANGES AT \$1—regularly priced \$1.50; large size, with set of 15 cooking utensils.

CHRISTMAS STOCKINGS FOR TREES AT \$1—\$1.25 and \$1.50 kinds, filled with any small, fun-making toys.

FUNNY-FACE FAMILY FOR \$1—regular \$1.75 set; wooden block that make up into comic figures.

TOOL CHESTS FOR \$1—with complete set of tools for small carpenters; formerly were priced \$1.75.

—Fourth Floor—

Announcement

CHRISTMAS NIGHT WE WILL OPEN THE "SHELburn GARDEN,"
A MODERN DANCE HALL
BIG DANCE Jazzy, Jazzy Music for your pleasure

The public is cordially invited. Admission 50c.
JAS H. WOODS, Manager.

For afternoon Card Parties, Receptions, Luncheons, or Evening Dances the

"Shelburn Garden"

at West Twelfth and Center Street is at your disposal. For reservations, phone Walnut 2738 or Register at Blagburn & Shelton Pharmacy.

JAS H. WOODS, Manager.

"AS FOR BEAUTIFUL HAIR AND A LOVELY COMPLEXION"

"It is astonishing to know the beneficial results one may obtain from the constant use of Madam C. J. Walker's Superfine Toilet Preparations."

"Why, they are an assortment of Toilettes suited to the needs of every complexion and beneficial to the most languid scalp."

- | | |
|-----------------------|-------------------------|
| Wonderful Hair Grower | Cold Cream |
| Tetter Salve | Cleansing Cream |
| Vegetable Shampoo | Vanishing Cream |
| Temple Grower | Complexion Soap |
| Glossine | Witch Hazel Jelly |
| Antiseptic Hand Soap | Floral Cluster Talcum |
| Compact Rouge | Antiseptic Dental Cream |

Superfine Face Powder
(White, rose, flesh, brown)

These quality preparations guaranteed to be the equal of many higher priced preparations and to be absolutely free of any injurious contents.

Expensively compounded but conservatively priced.

The Madam C. J. Walker Mfg. Co.

INDIANAPOLIS, IND.
640 NORTH WEST STREET.

The Bystander's Women and Children Page

HANDICRAFT FOR GIRLS

By DOROTHY PERKINS

RUSTIC TOYS MADE WITH TWIGS.

Rustic doll furniture will enable you to fix up a small plot of ground for your dolls.

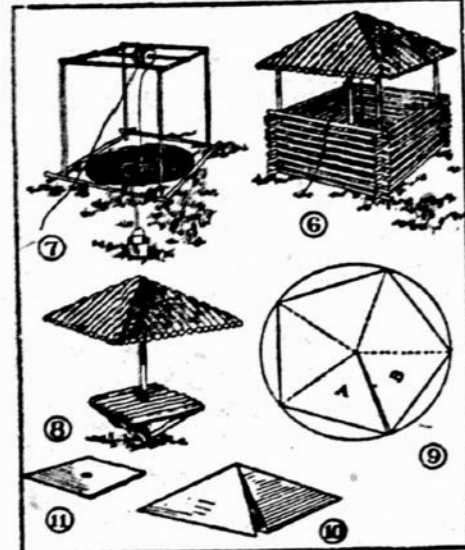
The bench in Fig. 1 has a framework built as shown in Fig. 2. The illustrations show the relative proportions of the pieces it requires. Use small brads for fastening together the twigs, and be careful not to split the slender pieces when driving these. Connections can be strengthened by wrapping thread around them as shown. After completing the framework (Fig. 2), fasten the diagonal leg braces in place, also the vertical and diagonal members of the seat back; then cut the seat crosspieces and glue them to the framework.

The table in Fig. 3 requires two end frames built up of twigs crossed, with horizontal connecting pieces extending from the crotch of one frame to that of the other. Cut the table top out of cigar-box or berry-box wood, and make four holes for the legs.

The cot in Fig. 4 is excellent for a doll's tent. Fig. 5 shows you how a cratched twig supports the side poles.



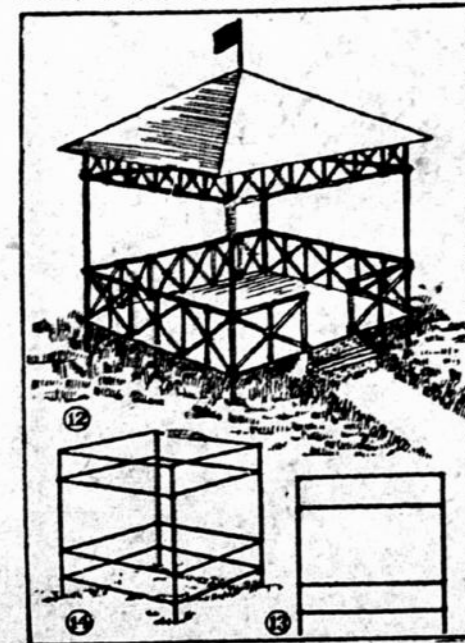
The well has a rustic curb and roof built as shown in Figs. 6 and 7. The curb sets over a hole five or six inches deep. Build the curb of twigs laid log-cabin fashion, to about the center of the corner posts, and fasten the crossed ends to the posts with thread. Fig. 9 shows a pattern for cutting the cardboard roof. First describe a circle, then divide its circumference into five parts, and connect the points with one another and with the center, as shown. Cut out the piece, and cut along the line between parts A and B, then fold along the dotted lines, lapping part A over B so as to form the four-sided hip-roof shown in Fig. 10. Fasten the cardboard roof to the top of the framework; then cut and fasten a covering of twigs to it so as to completely cover the cardboard. A thimble or any other small article may be used



for the well bucket. Fig. 7 shows how to arrange a spool pulley then how to run a cord from the bucket up and over the pulley.

The seat with a canopy (Fig. 8) has a cardboard roof like that of the well, mounted upon a center post, and the seat has a cardboard foundation like that shown in Fig. 11, supported beneath by diagonals run from the corners to the central post. Cover the seat with short twigs.

The summer house in Fig. 12 is constructed similar to the framework of the well curb and roof, but is larger. Fig. 13 shows one side of the framework, assembled, and Fig. 14 shows

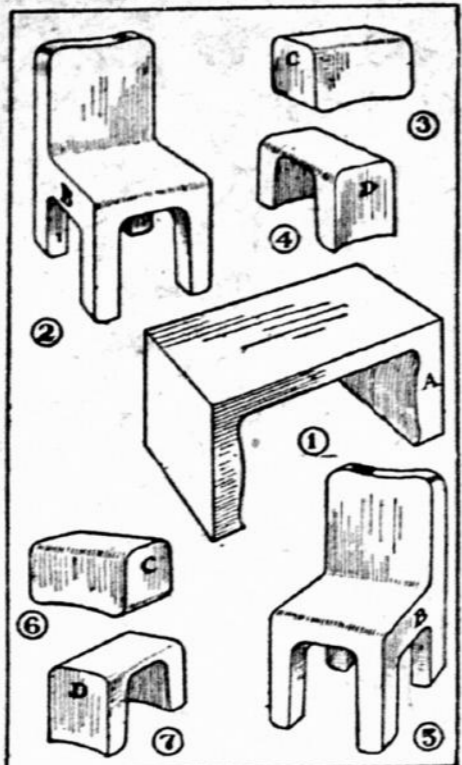


Doll House Furniture for a Girl's Christmas

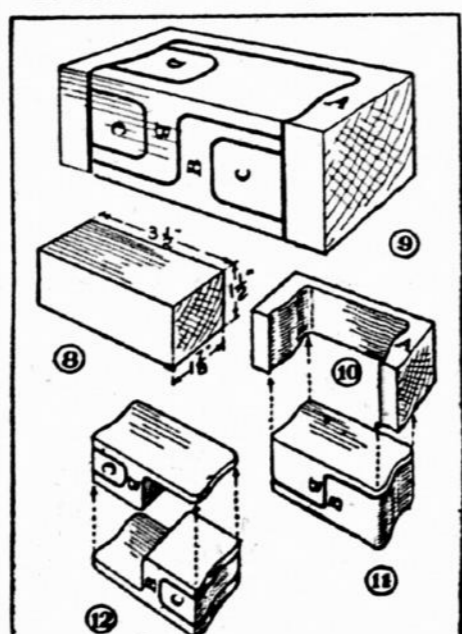
By DOROTHY PERKINS

(Copyright by A. Neely Hall.)

This is one of the most unique puzzle blocks I have ever seen, and it makes a set of furniture that any girl would be glad to own for her doll house. Stand the seven pieces of furniture shown in Figs. 1 to 7 upon a table, and tell a friend to fit them together so



as to form a symmetrical block of the dimensions shown in Fig. 8, and he will think that you are joking. It can be done, because the pieces were cut out of a block of the size shown. By comparing the letters which I have placed upon the pieces of furniture, with the letters upon the block in Fig. 9, you will see how the pieces fit together. It is best to mark out the pieces exactly as they are indicated upon the block in Fig. 9, before starting to cut. To save confusion only one cut is

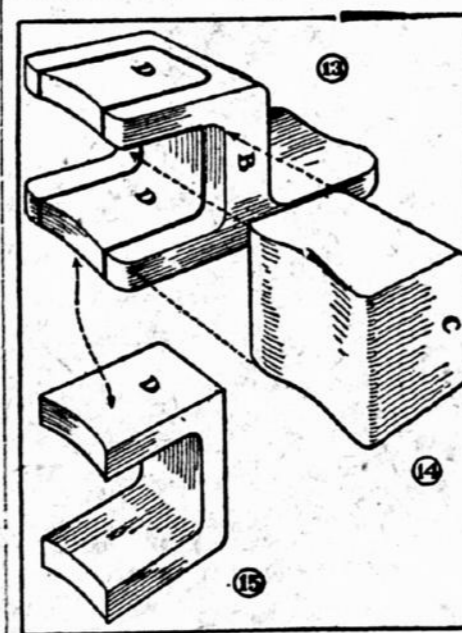


shown upon Figs. 11 and 12, in the order in which it should be made.

A small bracket saw, or what you probably know as a hand scroll-saw, should be used for cutting out the pieces, because a very fine blade is necessary. The block should be of white pine, free from knots and cracks. Cut it to the dimensions shown in Fig. 8, and plane its surfaces straight and smooth; then upon the two face and two side surfaces, mark off the lines on which to cut. The corners are shown rounded because it is necessary to cut them that way in order to turn the corner with the saw blade.

The first piece to cut out is the table (Fig. 1); this is marked A in Figs. 9 and 10. When you have removed this piece from the two ends and one side of the block, a block like that shown in Fig. 11 will remain.

The next step is to separate this remaining block into two equal parts by sawing along the heavy lines shown in Fig. 11 (Fig. 12). This pair



of blocks, you will see by Figs. 2 and 5, are to form the two chairs, after more cutting has been done. The block C, (Figs. 3 and 6), which becomes a foot-stool, must be sawed out of each chair base, as indicated in Figs. 13 and 14. Then when this cutting has been done, block D must be cut out of the remaining portion of each chair base (Figs. 13 and 15), for tabourets (Figs. 4 and 7).

Rag Dolls



Every Christmas the rag doll makes its appearance. There are rag dolls of high and low degree. Two high-class little persons are shown in the picture. These are made of heavy domestic cut by a paper pattern which can be bought. Their faces are painted with water colors, their hair made of yarn, and they are completely dressed with clothes that afford the joy of taking them off and putting them on. Even their slippers may be made of black oil cloth. One of these baby dolls is supposed to be a boy and he has a pair of rompers instead of a dress under his coat.

New Christmas Pillows



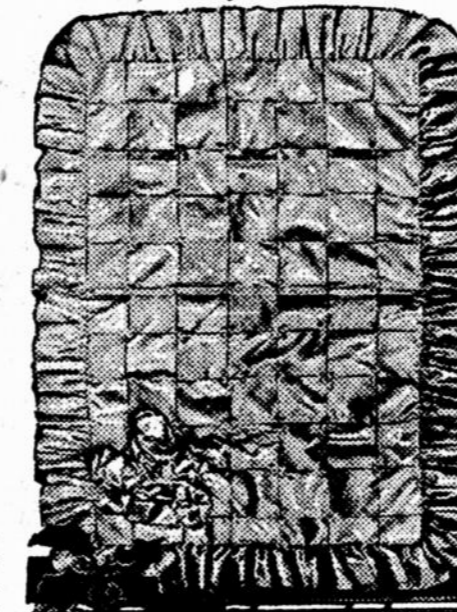
Christmas time brings out a lot of handsome new pillows, because they are gifts suited to everyone. Above, two are pictured, one made of changeable taffeta and one of satin ribbon. They will suit either living or bed rooms. The circular pillow of taffeta is shirred over cotton cord and the oblong pillow is edged with a frill.

Gifts for Baby



Christmas brings to the baby many dainty gifts. A pillow of wash silk and a little jacket of pink flannel are shown in the picture above, both of them glorified by trimming of narrow satin ribbon. A small oblong pillow of down is provided with a silk cover, having loops of ribbon set about the edge. A quilling of satin ribbon finishes the edges of the jacket.

Robe for Baby



When his majesty, the baby, rides out in state after Christmas, he may find himself possessed of something splendid in the way of carriage robes, like the rich affair shown in the picture. Satin ribbon makes the robe.

THE KITCHEN CABINET

(© 1920, Western Newspaper Union.)

There is no age limit. Many people do not learn how to live until they are past fifty. Gladstone, at eighty-six, was brilliant. Goethe, at eighty-four, found life full of interest. You are never old until you think you are.

CARROTS IN VARIOUS WAYS.

Carrots contain iron and other mineral matters especially good for the blood, and because of this mineral content are a vegetable which should be served often, especially in families with growing children.

The common way of serving them is creamed or cooked and served in a white sauce. We tire of having any food served in the same way time after time, so the following recipes may be suggestive of different ways of serving this wholesome vegetable:

Carrot Glace, With Cream.—Scrape the carrots, cut in halves or quarters, according to size, then cut in short pieces an inch and a quarter in length. Cover with cold water and cook 15 minutes, then drain and rinse and add boiling water; for each pint of water add a half teaspoonful of salt, a tablespoonful of sugar and two tablespoonfuls of butter; cook until the carrots are tender and the water is reduced to a sirup. Stir the carrots in this sirup until well glazed, then add hot cream to cover; let simmer for a moment and serve at once.

Cream of Carrot Soup.—Cook until tender a pint of diced carrots, drain and mash; put through a ricer. Scald a quart of milk with a slice of onion and a pinch of nutmeg; remove the onion after 15 minutes, add the carrot pulp, salt, sugar and a few dashes of cayenne. Melt a tablespoonful of butter in a saucepan, add a tablespoonful of flour and cook until smooth; add by thinning with a little of the milk to the hot soup. Cook until well blended, stirring occasionally. Serve hot with croutons.

Browned Carrots.—Take uniform-sized carrots, scrape and cut in halves. Parboil for 15 minutes, then arrange around a roast of mutton and baste with the fat to brown. Serve around the roast when it is served on the platter.

There are many meat sauces and soups which would lack in flavor if it were not for carrot, even in small quantities, which gives a most appetizing flavor.

Nellie Maxwell

The KITCHEN CABINET

(© 1920, Western Newspaper Union.)

When every soldier in the ranks fears that his loss means the fall of the cause an army is irresistible; when each man lays his stone as though the walls cannot stand except through his skill; when every woman bleeds at the wall of grief and the moan of hunger, convinced that her hand alone can ease and her loaf alone succor, then and only then shall our mastery endure.—Herbert Kaufman.

A CHAPTER ON POTATOES.

One of the best practical substitutes for a slice of bread is a potato.

The salts of a potato are valuable in building body tissues. When baked it is one of the most easily digested vegetables.

Potato Puffs.—Add one-half cupful of milk to two cupfuls of mashed potato and beat until thoroughly blended. Add two beaten eggs, a teaspoonful of salt, and gradually one cupful of grated cheese. Bake in a buttered baking dish in a slow oven.

Shepherd's Pie.—Put flaked fish in a baking dish. Add a sauce made of a tablespoonful each of flour and fat, one-half teaspoonful of salt, a dash of pepper and a cupful of broth. Cover with two cupfuls of mashed potato, brush with cream or fat and brown in a hot oven.

Potato O'Brien.—Make a sauce of one tablespoonful each of fat and flour, one-half cupful of skimmed milk, one teaspoonful of salt and a dash of pepper. Mix two cupfuls of diced cooked potato with one green pepper cooked and chopped and one-half cupful of grated cheese. Mix with the white sauce and put into a baking dish and brown in a hot oven. Canned red pepper may be used in place of the green when that cannot be obtained.

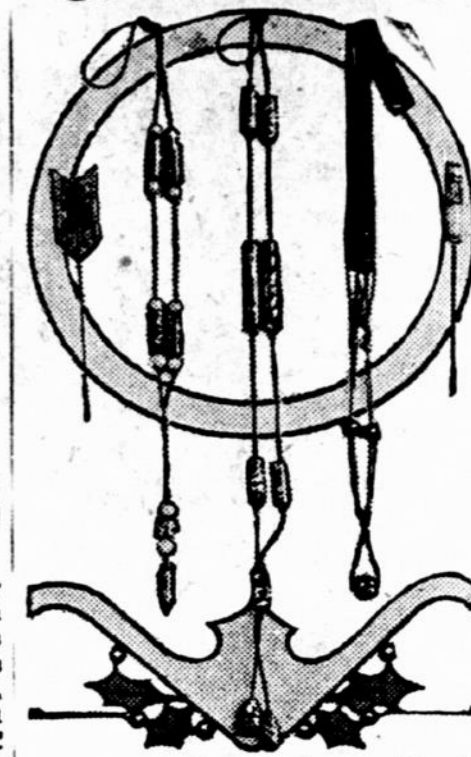
Potato and Lima Bean Loaf.—Take one and one-third cupfuls of Lima beans cooked and put through a sieve; add two tablespoonfuls of fat, one-fourth of a cupful of milk, one teaspoonful of salt, one-third teaspoonful of sage, two cupfuls of diced potato. Add to it one-fourth of a cupful of milk, salt and butter to season. Put the first five ingredients into a buttered baking dish, cover with the

Light and Phone Screens



As screens for electric lamps or for telephones, beautiful ladies from France, dressed in the crinoline styles of long ago, make useful as well as highly ornamental Christmas gifts. Their draperies of silk are supported by a wire frame. Imported heads of bisque are required for them.

Christmas Novelties



Among the best of the novelties introduced for Christmas gifts are the handsome beads made of sealing wax. They are strung on silk cord with or without glass or steel beads. The wax is heated over an alcohol flame, the colors combined and the beads shaped over a knitting needle while the wax is soft. Pretty hatpins are made in the same way.

Gift Muffs and Furs



Those wonderful plushes that are now known as "wool furs" make neckpieces and muffs that are just as warm, just as handsome and more durable than those made of skins, and they are not at all hard to make. A set made of sea plush is shown here.

Sachets As Gifts



Among little gifts, that always please dainty women, are sachets. A series of gayly colored satin bags, tied with narrow ribbons and pinned to a wider band with tiny safety pins, make a gift worth while, each bag ready to be transferred to the clothing. Another sachet is heart-shaped, edged with narrow ribbon frills, and three little bags are surmounted by a tiny doll.

"FRUITS OF HIS FOLLY."

Five Act Drama.
Jack Dunning—A victim of his own folly.
Percy Ogen—A true friend.
Ashley Drayton—A man of the world.
Hiram Boggs—Owner of Cowslip farm.
William Henry—Bell Boy.
Dorothy Downing—Jack's wife.
Alice Grandon—A society set.
Mrs. Dorothy Gross.
Melinda J. Boggs—From Juniperville, Vt.
Sarah—Hiram's better half.
Polly Flinder—Black diamond.
Lorraine Crawford.
Length of play—2 hours.
Maple Street Church Dec. 20th
Admission 25 cents.

Cure Your Asthma

Can Use Without Discomfort or Loss of Time.

We have a method for the control of Asthma, and we want you to try it at our expense. No matter whether your case is of long standing or recent development, whether it is present as occasional or chronic Asthma, you should send for a free trial of our method. No matter in what climate you live, no matter what your age or occupation, if you are troubled with asthma, our method should relieve you promptly.

We especially want to send to those apparently hopeless cases, where all forms of inhalers, douches, opium preparations, fumes, "patent smokes," etc., have failed. We want to show everyone at our expense, that our method is designed to end all difficult breathing.

This free offer is too important to neglect a single day. Write now and begin the method at once, end no money. Simply mail coupon below. Do it today—you do not even pay postage.

FREE TRIAL COUPON.

FRONTIER ASTHMA CO., ROOM 436 N. Niagara and Hudson Streets, Buffalo, N. Y.

Send free trial of your method to:

Nelson Book Store

Large stock of books
Suitable for Christmas
New and Second Hand
Xmas Cards, Seals and
Children's Books.

THE AUDITORIUM EMPLOYEES

INVITE YOU TO THEIR

XMAS BALL

AT THE

AUDITORIUM

SATURDAY, DECEMBER 25TH, 1920

Admission - - - - - 60cts

DADDY'S EVENING FAIRY TALE

OF MARY GRAHAM BONNER

MOTHER TOAD.

"There are some creatures," said Mother Toad, "who are most peculiar, but in spite of that fact I like them."

"What is peculiar about them and who do you mean?" asked Mrs. Teddy Toad.

"Well, people are funny," said Mother Toad. "Mothers only have a mere handful of children about them, a mere handful."

"I've never seen them carrying their children upon their hands," said Mrs. Toad. "Sometimes I've seen them carrying one baby in the arms, or one child upon the shoulders, but a lot of children in the hand—never."

"How then do you say that they have a handful of children?"

"I mean," said Mother Toad, "that they don't have thousands of children like I do. I didn't mean they carried their children around in their hands, but that they don't have enough to count so that they would amount to a good number."

"I, you see, have thousands, and so do you."

"But even though I am so different from people I like them. They're strange and tall and they walk instead of hop and they eat roast beef and ice cream instead of slugs and worms and little insects, but still I like them."

"So do I," said Mrs. Teddy Toad. "You see," said Mother Toad, "I think creatures are absurd who only like those who do just the same and think just the same as they do themselves."

"That's where I am different and I love folks lots better and have lots better a time because of that. Just suppose I said, 'No, I don't like her; she wears dresses, whereas I, the toad, do not.' Now, wouldn't that be absurd?"

"Toads help people because they like them. They do a lot of good work in the gardens, just quantities of good work, and upon the farms, too."

"But I haven't much use for folks who're always disliking everyone who doesn't think the same and dress the same and act the same as they do."

"They miss so much joy out of life, and, besides, people who want everyone else to agree with them are so conceited. They have the manner as though they knew it all and were the only ones who were right."

"But I was saying how different people are from toads. I presume they

think they're pretty different, too," she laughed.

"I guess they do," said Mrs. Teddy Toad.

"Oh, well, no matter; they think the truth," said Mother Toad.

"Now I lay eleven thousand eggs as a rule in a pool. Sometimes they change right into toads in a few hours. We don't wait for months like the frogs in order to become something."

"Just think of being the mother of eleven thousand children all at once. That is something to be proud of. And everyone of the eleven thousand children helps on farms and in gardens."

"Did you ever hear of Mother Kangaroo, by the way? I heard of her the other day when some children were talking. It seems she has a little sack under the front of her, where she keeps her children for protection when danger is near—sort of swallows them, you know."

"Now, that is an interesting thing if it is true, and I fancy it must be, for I've heard it from so many different people, though I will admit I've never seen it happen myself."

"Of course, I suppose it is because I'm not around where kangaroos are. But, oh dear, oh dear, how I love to think of eleven thousand little toads! It must be awful to think of only a half dozen children. But, I suppose, their mothers feel that it would be horrible to think of eleven thousand children to wash and to put to bed, or to send to bed when they get older and could go by themselves. And they'd need several schools for one family."

"So I suppose it is all right that they have their own ways, but I'm glad I'm a mother toad, and have a mother toad's ways!"

The Reason Why.
My sister, aged five, had come to the table with very dirty hands, and mother said to her: "Mabel, go and wash your hands immediately. Did you ever see me come to the table with hands like that?" "No, mother, of course not," answered Mabel, "but I didn't know you when you were five years old."—Illustrated News.

Quickly Relieves Constipation

Don't take purgatives for Constipation—they act harshly—they overstrain the delicate membrane and leave the bowels in a worse condition than before. If you are troubled with Constipation, Sick Headache, Indigestion, Sour Stomach, Dizziness, Biliousness, Nervousness, or loss of Appetite—Don't hesitate—Get a bottle of CARTER'S LITTLE LIVER PILLS—Take one after each meal and one at bedtime. A few days' treatment will put Stomach, Liver and Bowels in normal condition.



Change must bear signature Small Pill Small Dose Small Price

The Art of Kissing.
Don't kiss all over, as grasshoppers walk. Don't sit down to it. Stand up. You needn't be anxious to get into a crowd. Two persons are plenty to corner and catch a kiss. Stand firm. It won't hurt you after you're used to it. Don't be in a hurry. Providence will give you strength for the ordeal. Take good aim—the lips meet, the eyes close, the heart opens, heaven itself opens before you, and the art of kissing is learned.—Exchange.

Good News For All Men

Simply Wash the Hair Oh! Boy!! Dr Pryor's Wonderful Soap
Is the only preparation on the market that will straighten the hair without turning it red or injuring the scalp. The latest scientific discovery. Will not give the hard, porecupine effect, but makes the hair soft and wavy. Price \$1.1 per package. Agents' outfit \$5.50. No samples. Big money for agents.
A. STUART NOVELTY CO.
2513 Lake St., Omaha, Neb.

A REAL BARGAIN
Nemo
SELF-REDUCING
No. 360
AT
\$5.00
THE BEST CORSET FOR STOUT WOMEN
LIGHT BUT STRONG
ON SALE FOR A SHORT TIME
If your dealer doesn't carry it, send money and waist measure (over clothing) and we will send you one for trial. Postage prepaid.
NEMO HYGIENIC-FASHION INSTITUTE
Dept. H. 23 Irving Place New York



Mr. Business Man

- That vexing QUESTION answered
- that business problem solved
- directly, accurately and instantaneously.

THE ADVERTISING PROBLEMS
All advertisers are confronted with three big PROBLEMS. Briefly they are:

- (1) WHEN shall I advertise?
- (2) Where shall I advertise?
- (3) How shall I advertise?

The BYSTANDER, a paper that reaches thousands of colored people in Des Moines, thousands in Iowa, Minnesota, Wisconsin, Illinois, Mississippi, Nebraska and other states, is the mouth-piece through which they speak to YOU.—

(1) Advertise when we get our money or the most of it, that is—about Saturday—let us know that you want our TRADE. Keep advertising in our paper THE BYSTANDER.

(2) Advertise in all the papers but don't forget we will investigate and buy when you advertise in THE BYSTANDER. Why? because, it lets us know you want our DOLLARS and are willing to spend something to get them. We buy good things as well as other people; we will buy from you, if you will advertise in our paper.

(3) First, advertise regularly, attractively and everything that is sellable to anyone, because you can't tell what or when we buy.

Frank Fowler Undertaking Co. EMBALMER & FUNERAL DIRECTOR

200 E. 5th Street Phone Maple 631
r. Fowler wishes to announce that he is not in any way connected with the Fowler Bros. Undertaking Co. located at 117 E. Walnut. Mr. Fowler has opened up one of the best equipped undertaking establishments in Des Moines.



25,000 MORE PORO AGENTS WANTED.
Equipped with the Very Latest Apparatus for Teaching the
Poro System of Scalp and Hair Culture
and all Branches of Beauty Culture
Terms Moderate Diplomas Given
Write Today for Further Information
"PORO" COLLEGE
Poro Corner "Dept. A-5" St. Louis, Mo.

FLOR DE MELBA 10¢ STRAIGHT
The Cigar Supreme
Better and more pleasing than any mild Havana cigar.
Ask your dealer for your favorite size if your dealer can't supply you—write us.
I. LEWIS CIGAR MFG. CO. NEWARK, N.J.
Largest Independent Cigar Factory in the World.

Advertisers will find this paper an excellent medium in which to display their bargains and make their wants known

EUFULA
(Pronounced U-FALL-ER)
BEAUTY PREPARATIONS
The World's Fountain of Beauty Secrets
That Rose Beauty Cream
Cream, Peroxide Greaseless
of enhancing beauty—an excellent powder cream. Excellent for men and women. Price 60c.
That Nairn's... complexion... clinging, velvety texture—delicate silk. Price 80c.
FOR SALE AT
Mrs. E. F. Butler (Eufula System) 721 C Ave. With Albia.
Mrs. Laura Herroll (Poro System) 731 N. Pella Ave., Ottumwa.
Mrs. Margaret Walter (Scalp Culturist) 401 N. Lincoln St., Mt. Pleasant.
Mrs. Josephine Wilson (Hair Restorer) 136 S. 6th St., Burlington.
Mrs. Celia Green (Poro System) 935 L St. W., Cedar Rapids.
Mrs. A. Hobbs (Poro System) 1107 Ripley St., Davenport.
Mrs. S. Emerson (Walker System) 128 3d Ave., Clinton.
Mrs. W. H. Perry (Poro System) 500 W. 7th St., Sioux City.
Mrs. E. Turner (Magic System) 1104 Ave. C Council Bluffs.
Mrs. Alice Thompson (Beauty Culturist) Iowa Ave., Muscatine.
FOR SALE AT DES MOINES
Miss Gertrude Hyde (Walker System) 821 13th.
Mrs. W. J. Shepard (Poro System) 1025 W. 13th.
Mrs. Anna Claybrook (Poro System) 1551 Buchanan St.
Mrs. Mary Barrett (Walker System) 1910 Center St.
Mrs. Etta Smith (Poro System) 1625 Buchanan.
Mrs. Ivelia Robinson, 1627 Walker (Walker System).
Mrs. Mary Scott (Walker System) 1040 4th St. Place.
Main Laboratory
EUFULA CHEMICAL CO.
161 West 53rd Street
New York City
IOWA DISTRIBUTOR
MME. M. BARRETT
1010 Center St.
Des Moines
For straightening and redressing any grade of hair or curling, soft instantly—leaving it guaranteed soft and glossy—hair. Price 30c. to 50c. the

THE STAR HAIR GROWER

A Wonderful Hair Dressing and Grower.

1,000 AGENTS WANTED.



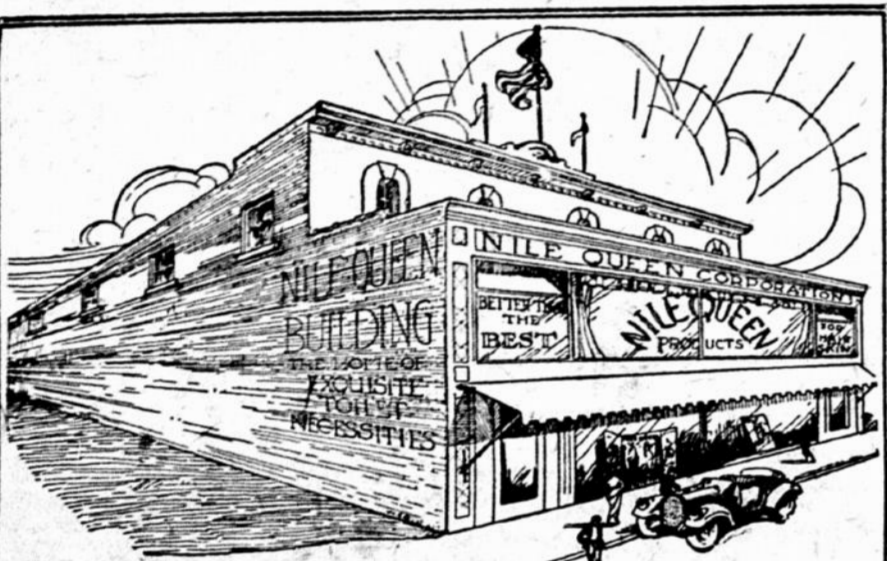
Good Money Made
We want agents in every city and village to sell

THE STAR HAIR GROWER.
This is a wonderful preparation. Can be used with or without straightening irons and by any person.

One 25 cent box proves its value. Any person that will use a 25c box will be convinced.
No matter what has failed to grow your hair, just give

THE STAR HAIR GROWER
a trial and be convinced.
Send 25c for full size box. If you wish to become an agent for this wonderful preparation.

Send \$1.00 and we will send you a full supply that you can begin work with at once; also agent's terms.
Send all money by money order to
THE STAR HAIR GROWER M.F.R.,
P. O. Box 812, Greensboro, N. C.



Nile Queen Building—Home of Nile Queen Preparations

An Unusual Opportunity

for men and women capable of earning salary of \$50.00 per week. We have openings for aggressive, hustling persons to cover city, county or travel entire state territory doing special organization work. The Nile Queen Corporation now being organized on a profit-sharing basis is putting into operation a new plan which offers a gilt edge opportunity to small investors.

Wide awake men and women who want to make real money or have their savings earn substantial dividends, cannot afford to overlook this opportunity.

For full information address Dept. B, Incorporators Nile Queen Corporation or

Kashmir Chemical Co.

3423 Indiana Avenue Chicago

Christmas Gift

Where You Save 25 and 50 percent on all Bracletts Watches, Rings and all kinds of Jewelry.

Diamonds \$10. and up Watches \$5. and up.

O. Cohen 508 Walnut

Speaks From Experience. "Here's a substance which breaks down when exposed to light." remarked the chemist. "That must be the st. reputations are made of." observed a politician.

A Question. "Judging from the time some of the young blood of this town arrive home in the morning, it's hard to tell whether to call them night owls or hawks."

BETHEL A. M. E. CHURCH.

Presiding Elder A. W. Hackley held his first quarterly meeting at Bethel Sunday. There were three baptized Sunday. Sunday was a high day in Zion for all who attended the services. We were glad to have Rev. Griffin, pastor of St. Paul and his loyal members to worship with us at the 3 o'clock service.

We raised this quarter \$906.16. Amount raised Sunday from all departments, \$123.30.

We had a glorious love feast Friday evening and had one to reclaim and one that asked the prayers of the Christians.

Purity club met at the home of Mrs. Hattie Carey Tuesday evening. A fine time was enjoyed by everyone.

The Bethel Boy's Junior club met Tuesday evening and the boys enjoyed themselves very much. They are planning for a program Dec. 31, 1921. All are invited to spend the evening with the boys.

Busy Bee club met at the home of Mrs. Lizzie Tolliver, 1629 Walker street. All had a pleasant time.

The H. C. Claybrook Structural club met Friday on business of vital importance.

Rev. H. C. Claybrook visited his brother and sister in Burton last week. He had a very pleasant visit.

Mr. Mack Robinson of Chicago visited his wife last week, who lives on East Seventeenth street.

ST. PAUL A. M. E. SUNDAY SCHOOL NOTES

The 12th was a banner day for attendance.

The young women's Bible class which will be instructed by Mrs. W. H. Lowry, organized with a goodly number. This class will be known as Adult Class No. 3.

The several committees have been working so faithfully that there may be no stone left unturned in the final arrangements for a Merry Merry Christmas for the little folk.

We are indeed grateful to those mothers and fathers who take the pains to bring their little ones to the school because we know it means a sacrifice of time and money, but great will be their reward in the years to come.

Lesson XII. Subject, "Jesus Feeds the Multitudes, Matt. 14:13-23."

Golden text—They have no need to go away; give ye them to eat, Matt. 14:16.

Opening bell, 1:30. Be prompt.

NOTES FROM THE MT. OLIVE BAPTIST CHURCH S. E. 4TH ST.

Rev. G. E. Saunders, pastor. Sunday was a glorious day in Zion. The spirit of the Lord was with us all day. The pastor preached both morning and evening. When the invitation was extended at the 8 o'clock services four came forward and accepted Christ as their Savior. We are proud to see Mrs. Carter at her post again after an illness of 10 days. Our Sunday school is getting along fine, also getting ready for Santa Claus. Our services were well attended last Sunday. Our crowds are large each Sunday.

We wish for her a speedy recovery. Old Santa has begun to walk around Rev. Sanders door already. A check for \$25 was handed to him by his brother, W. M. Sanders. Come again Santa, you are welcome. Don't forget the location of our church. Take the Scott street car, get off at Fourth and Allen or Fourth and Scott streets. Come you are welcome.

A GOOD FELLOW TO TRADE WITH

Sam Burns Co. desires the patronage of all people who can find what they want in their stores. Their merchandise is of a good quality, their prices are actually cheaper and will stand comparison. They are very courteous. They have given to needy causes and will do so in a larger sense if it is reciprocated. They ask only an inspection and they will prove that they are in a position to give you value for your dollars. Trade with Sam Burns & Co., Ninth and Keosauqua streets, City.

WHO'S WHO ENTERTAINMENT SUCCESS.

The Who's Who entertainment was a success.

"It was a very unique and interesting."

"It was the best that I have seen here;" are among the remarks that were heard at the closing of this entertainment. Atty. S. Joe Brown as chairman of the evening in a few but choice words and phrases introduced to the public many of our leading professional, business and prominent men and women of our race. The musical program by local talent was excellent. Following the program a number of our famous cake bakers had prepared cakes which were auctioned off by Mr. Geo. C. Young. Mrs. J. E. Ousley, director of this entertainment is to be commended on the grand success of the affair.

Y. M. C. A.

Rev. Edward G. Green, pastor of Shiloh Baptist church gave a wonderful talk at the Y. M. C. A. on the subject "Wanted a Man." Dr. A. J. Booker will give a stereopticon lecture at the Y. M. C. A., Twelfth and Crocker Sts. Sunday at 4 p. m. Subject "Keeping Fit," a carefully prepared lecture, demonstrated with pictures. Every man in Des Moines should hear him. Come and bring a friend. Monday, Dec. 20 will be the closing session of the religious workers institute.

Mr. Geo. Webber, who in a great measure was responsible for the establishing of the Crocker street Y. M. C. A. will give a short lecture. The closing lecture will be by Rev. G. S. Hargde. Everyone should take advantage of this last opportunity.

Mr. and Mrs. H. W. Hughes will be host and hostess to the younger social set at a dancing party Wednesday evening at the Community Center in honor of their daughter, Dorothy.

A well prepared program was given last Sunday at the Community Center by the Music Lovers club. The next public meeting will be held the second Sunday afternoon in January.

MERIDIAN, MISS. BRIEFS.

Uncle Sambo is still looking after the interest of the "Bystander." He may be slow, but he is sure, for he never sleeps.

Mrs. Mary E. Jones, the woman preacher evangelist, of Memphis, Tenn., was the center of attraction in a two weeks revival meeting here, held with the St. Paul M. E. church. Rev. Morgan, pastor. Thousands of our people met and listened to this great God sent evangelist, and many confessed a belief in the Lord Jesus Christ.

The many friends of Miss Emma L. Miller, will be delighted to hear of her recovery from an illness caused by severe injuries received when her horse succeeded in making a bad run away through her out of the buggy her head struck a sewer pipe in a ditch and she was unconscious for a while.

In connection with the ground breaking program the city B. Y. P. U. rendered a splendid program of which Prof. C. T. Tiggs rendered the principle address from the subject the "Aim and Object of the City B. Y. P. U." At the end of the program the president, F. B. Sherrod, presented to the finance committee, \$38.20.

The vocal singing convention rendered a beautiful program. Prof. S. M. Borders delivered the address and sang many beautiful selections and presented to the finance committee \$26.

Bishop J. W. Woods will sound his gavel and open his annual conference here in the A. M. E. Zion church next Wednesday at 10 a. m. Rev. Byrd pastor. We are looking for a great influx of delegates to attend the conference.

The Baptist Seminary has an overflow of students this winter. It is a pleasure to Uncle Sambo to see the schools filled with regular attending students.

The Boys and Girls Improvement association met in the auditorium of the Baptist Seminary, Dr. Franklin addressed the meeting. Mrs. M. A. Smith, the efficient director, is planning to have a nice program for Christmas.

Quite a large audience listened to Col. Roscoe Simmons, the "World's Famous Orator" at the Court House last Monday night. He was ably introduced by Prof. G. M. Reese, principal of the Baptist Seminary. The great orator was received with a roar and deafening ovation. He delivered one of the greatest orations that Uncle Sambo ever heard.

Thanksgiving day was ground breaking day at the Baptist Seminary. Dr. L. S. Lee, chairman of the building and trustee board and Prof. G. M. Reese principal of the institution along with the other officials invited every denomination in the city and country, and fortunately all responded. Between 3,000 and 5,000 attended the ground breaking day service. What seemed to be most attractive to Uncle Sambo was, that Rev. J. T. Davis, pastor of Union Baptist church, had on overalls and a pack in his hands tossing up the hard red clay on which the \$60,000 building is soon to be erected. Every man was given an opportunity to throw one shovel full of ground by paying a dollar and as much more as he wanted too. Men shoveled there until \$1,100 was laid on the ground breaking table.

Tuberculosis
It was when physicians said it was impossible for J. M. Miller, Ohio druggist to survive the ravages of Tuberculosis, he began experimenting on himself, and discovered the Home Treatment, known as ADDILIN E.
Anyone with coughs or influenza showing tubercular tendency or tuberculosis, may use it under plain directions. Send your name and address to
ADDILIN E. 40 Arcade Building, COLUMBUS, OHIO

Elks' Benefit Minstral

Given by Hawkeye Lodge, No. 160
December 20-21
12th and Center Lincoln Theatre 12th and Center

GIVEN BY HAWKEYE LODGE NO. 160, TWELFTH AND CENTER STREETS
THE ENTIRE RECEIPTS ARE FOR THE CHILDREN'S CHRISTMAS.
THE MANAGEMENT OF THIS THEATRE WILL ADMIT ALL CHILDREN FREE FROM 1 TO 5 CHRISTMAS DAY TO SEE "THE BRUTE," AN ALL STAR NEGRO CAST.
AND THE ELKS WILL HAVE A CHRISTMAS TREE WITH CANDY AND A PRESENT FOR ALL BOYS AND GIRLS.
RESERVE YOUR SEAT NOW
RESERVED SEATS—75c; REMAINDER, 50c; CHILDREN, 25c.

Leg Sores
Healed by ANTI-FLAMMA Poultice, Plaster. Stops the itching around sores. Heals while you work. Describe case and get Free Sample. Bayles Distributing Co., 1832 Grand, Kansas City, Mo.

Instruments on an Airplane.
The instruments on an airplane usually include an altimeter, for indicating the height; clock; compass; revolution indicator, showing the speed of the engine; speedometer, indicating the air speed of the airplane; and petrol and oil gauges, indicating the amount of fuel in the tanks.

Kill That Cold With

HILL'S CASCARA QUININE
FOR Colds, Coughs AND La Grippe
Neglected Colds are Dangerous
Take no chances. Keep this standard remedy handy for the first sneeze.
Breaks up a cold in 24 hours—Relieves Grippe in 3 days—Excellent for Headache
Quinine in this form does not affect the head—Cascara is best Tonic Laxative—No Opium in Hill's.

ALL DRUGGISTS SELL IT

The Store of Quality

1101 Center St.
Largest Prescription and Drug Stock on Center Street

Xmas Cards and Seals

At our store you will find a line of gifts that have enduring value—gifts that betoken good judgment as well as good will. One of the special advantages of selecting from a stock like ours lies in the fact that it contains something appropriate for every member of this family.
We list below some of our leading lines, but it is impossible to give you any hint of the beauty, novelty and real worth of the goods, or the compelling power of low prices.

ALL THE LEADING LINES OF PERFUMES AND TOILET ARTICLES.
A COMPLETE STOCK OF INGERSOL WATCHES.
MANICURE SETS, BOX STATIONERY, BOX CANDY, TOILET SUNDRIES, HOT WATER BOTTLES, FOUNTAIN PENS, CIGARS, XMAS CANDIES, HIGHLY PERFUMED SOAPS, FLASH LIGHTS.
REMEMBER OUR STOCK OF PERFUMES AND TOILET WATERS CAN'T BE BEAT.
MME. WALKER, HIGH BROWN, BLACK AND WHITE FRED PALMERS, WHITES SPECIFIC AND KASHMIR STRAIGHTENING COMBS.
NORTHWEST CORNER ELEVENTH AND CENTER

H. J. Hakin **Haskin Drug Co.** E.H. Hakin
North West Corner-11th Center St.

Closing Out Every PLAYER Roll AT 40 Percent OFF

At this great reduction they will not last—BUY NOW!

Chase & West

Let DAVIDSON'S FURNISH YOUR HOME

DAVIDSON'S
IOWA'S LARGEST FURNITURE STORE
412-414-416-418-WALNUT-ST.

The Iowa Famous Cleaning Co.
414 EAST WALNUT IS NOW PREPARED TO HANDLE LADIES AND GENTS TAILORING. ALSO ALTERATION AND RELINING PROMPTLY. PHONE MAPLE 462.
Chas. O. White Mg

THE IOWA FAMOUS CLEANING CO. \$13.95 GOODYEAR RAINCOAT FREE.
414 E. Walnut is now prepared to handle Ladies and Gents Tailoring. Also Alteration and Relining Promptly. Phone Maple 462.
Goodyear Manufacturing Company, 1931 Goodyear Bldg., Kansas City, Mo., is making an offer to send a handsome raincoat free to one person in each locality who will show and recommend it to their friends. If you want one, write today.—Advertisement.